

Stellar® Service Crane

EC5000



TECHNICAL SPECIFICATION GUIDE



Our People. Our Products.

■ SPECIFICATION INFORMATION

Crane Rating:	25,000 ft-lbs (3.46 ton-meters)
Standard Boom Length:	10' (3.05 m) from CL of Crane
Boom Extension:	
• 1st stage:	Hydraulic 60" (152.4 cm)
• 2nd stage:	Manual 60" (152.4 cm)
Max. Horizontal Reach:	20' (6.10 m) from CL of Crane
Maximum Vertical Lift: (from crane base)	21' 3" (6.48 m)
Boom Elevation:	-5 to +80 degree
Stowed Height: (crane only)	29.53" (75 cm)
Mounting Space Required:	19" x 19" (48.3 x 48.3 cm)
Shipping Weight:	1180 lbs (535 kg)
Controls:	Radio control standard for all functions
Winch	
• Rope Length:	90' (27.4 m)
• Rope Diameter:	5/16" (.79 cm)
• Line pull speed:	16 ft/min (4.88 m/min)
• Max. single part line:	2500 lbs (1134 Kg)
• Max. double part line:	5000 lbs (2268 Kg)
Rotation:	410 degree power (worm gear)
Lifting Capacities:	5000 lbs @ 5' (2268 Kg @ 1.5 m) 1250 lbs @ 20' (565 Kg @ 6.1 m)
Power Supply Required:	12 volt power unit 2.0 gpm @ 2900 psi (7.57 lpm @ 200 bars)
Min. Rec. Chassis (GVRW)	14,500

■ DEFINING CHARACTERISTICS

Planetary Drive Winch System

The winch is equipped with a 1.8 HP permanent magnet electric motor with a 315:1 planetary gear reduction system. This ensures that your winch will never quit lifting before it reaches the full rated capacity.

Double Boom Design

The double boom design makes it nearly twice as strong as the nearest competitor.

Gear Bearing Rotation

Uses same rotation system as the larger class cranes. There are no plastic bushings or brass gears in the rotation system. It uses a high strength steel ball bearing turntable gear, a high strength steel worm gear, and a cast steel worm gear housing.

Integral Rotation Stop

410 degrees of rotation with an integrated rotation stop. Integrated stops allow you the greatest performance while protecting wires and hoses from damage.

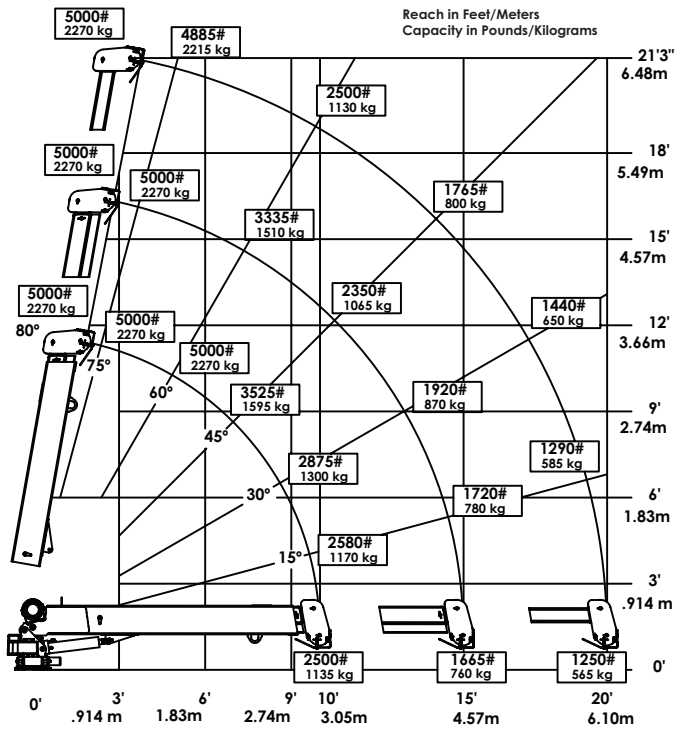
20' of Reach

Hydraulic 1st stage extension. Manual 2nd stage extension.

Radio Remote

Comes standard with a radio remote control.

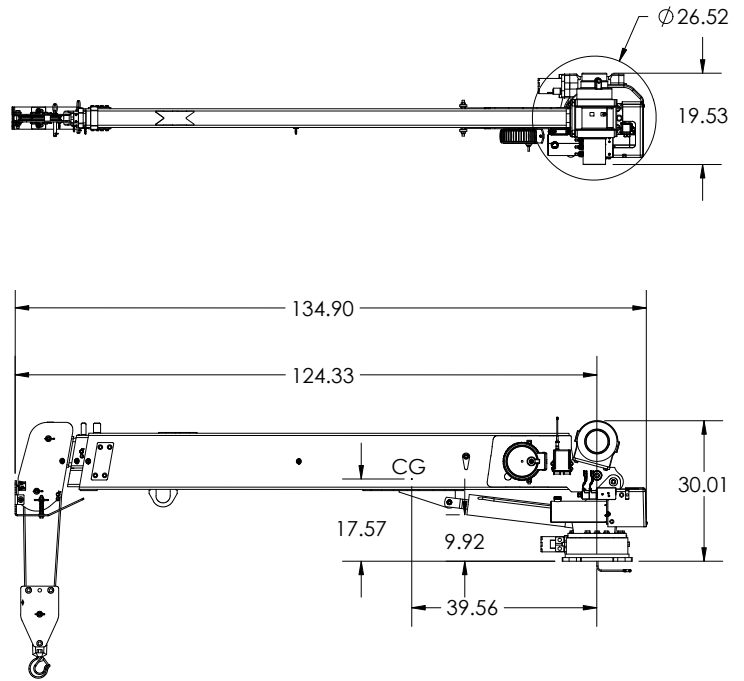
■ EC5000 CAPACITY CHART



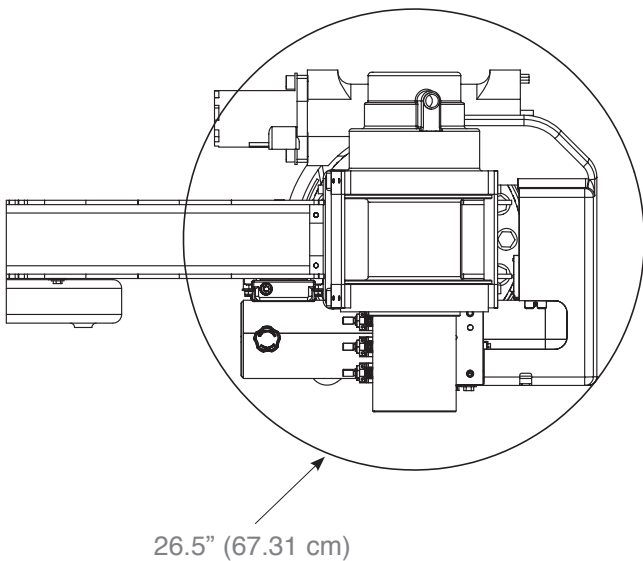
Weight of load handling devices are part of the load lifted and must be deducted from the capacity.

Maximum 1 - part line capacity is 2500 lbs. (1130 kg). For greater loads, use 2 - part line.

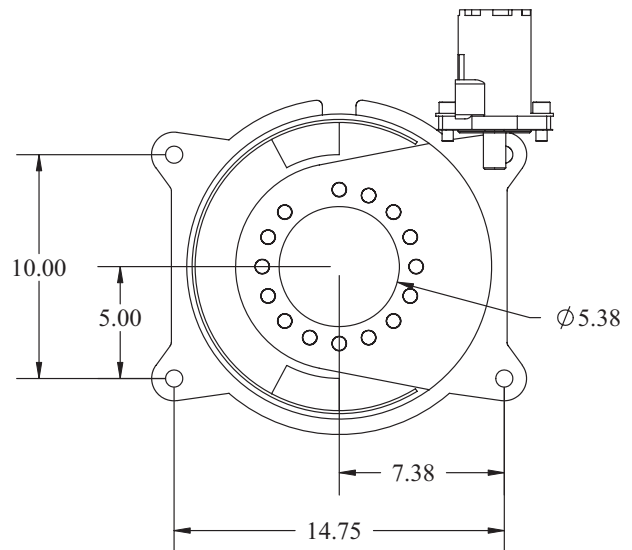
■ GEOMETRIC DIMENSIONS



■ ROTATIONAL CLEARANCE

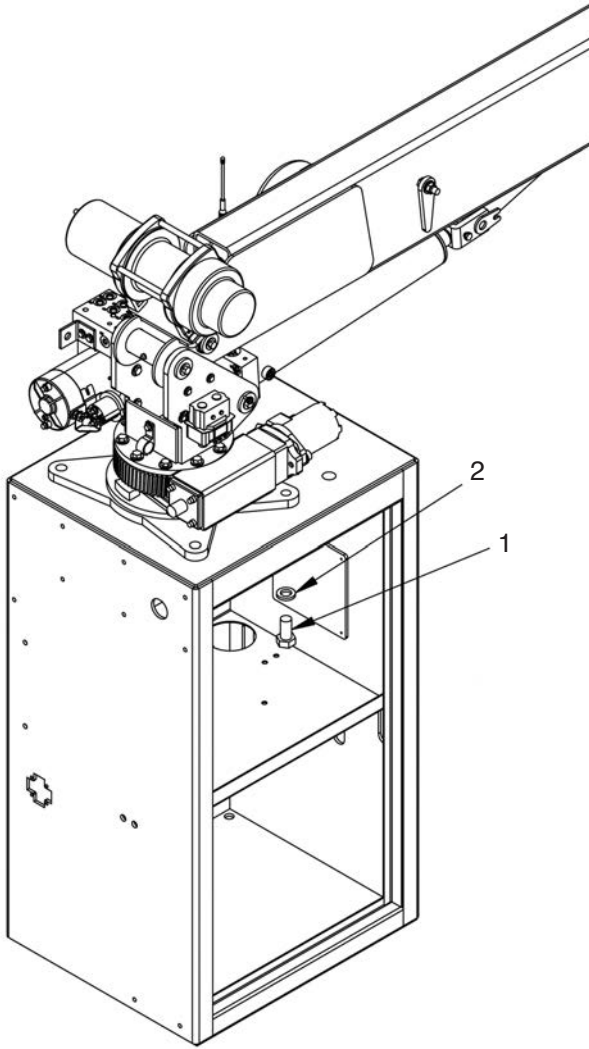


■ HOLE MOUNTING DETAIL



■ **SERVICE BODY MOUNT**

Mounts on 20" deep (or larger) side packs.



Item	Part	Description	Qty.
1	42985	Cap Scr 0.88-9x1.75 HHGR8ZY	4
2	8648	Washer 0.88 SAE GR8	4

Your local distributor:



Our People. Our Products.

190 State Street
P.O. Box 169
Garner, IA 50438
Telephone: (641) 923-3741 • (800) 321-3741
Fax: (641) 923-2812
Internet: www.stellarindustries.com
Email: sales@stellarindustries.com