



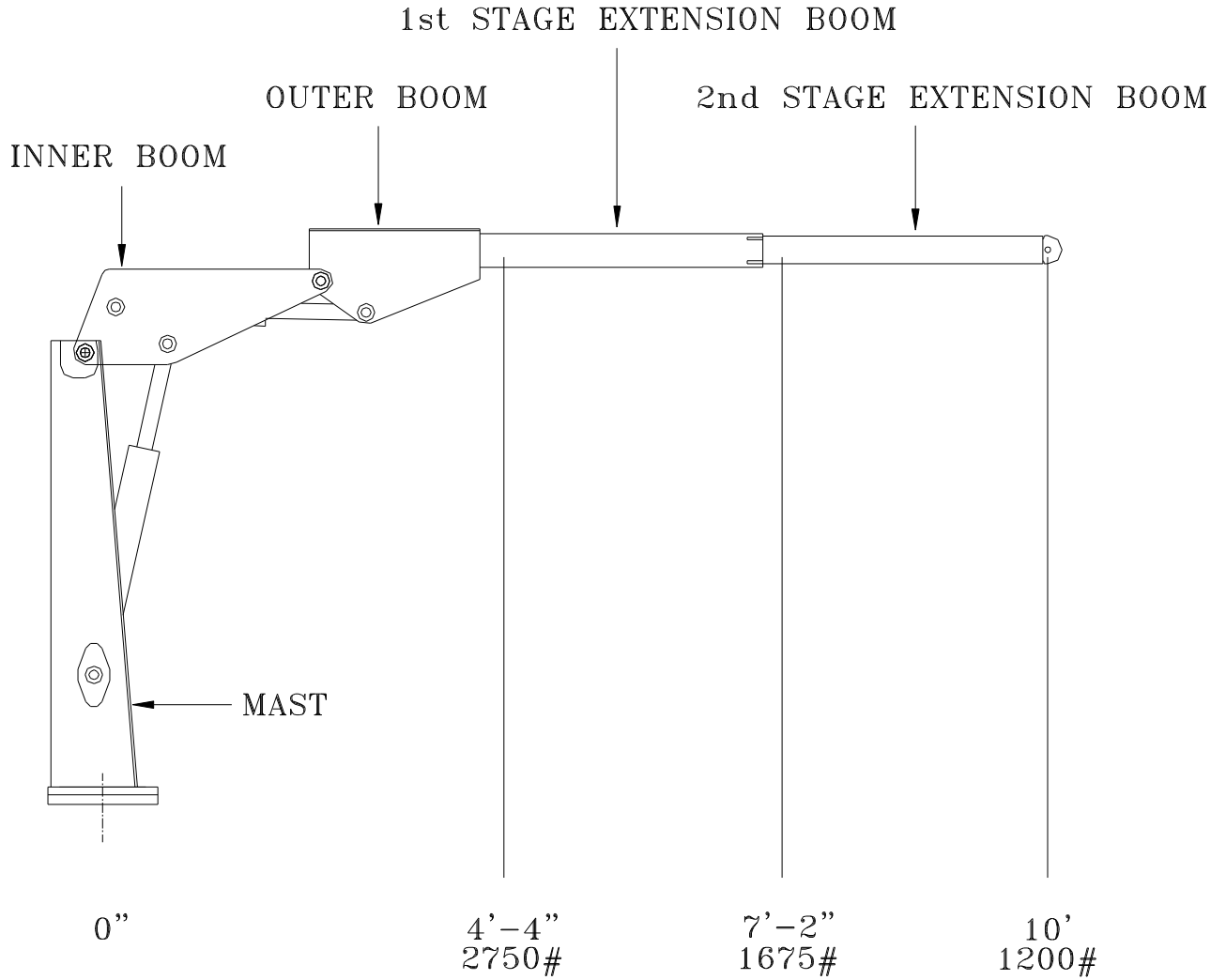
CRANE

MODEL 1210

TABLE OF CONTENTS STELLAR CRANE 1210

PAGE	DESCRIPTION
3.)	CAPACITY CHART
4.)	OPERATION
5.)	CRANE PARTS ASSEMBLY
6.)	OUTRIGGER PARTS ASSEMBLY
7.)	CONTROL KIT
8.)	HYDRAULIC KIT
9.)	INSTALLATION INSTRUCTIONS
10.)	WARRANTY

CAPACITY CHART



THIS CRANE IS RATED AT 12,000 FOOT-POUNDS
WITH THE INNER BOOM AT A HORIZONTAL POSITION

OPERATION

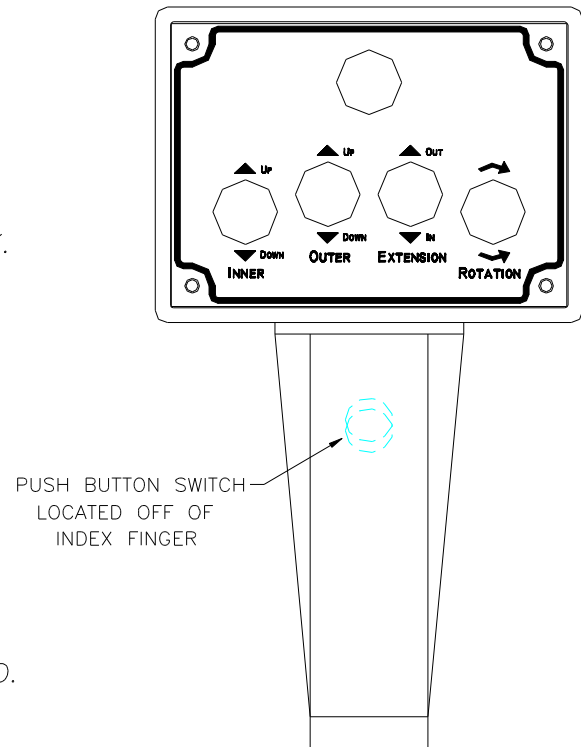
CRANE OPERATION

THIS CRANE IS CONTROLLED BY AN ELECTRONICALLY OPERATED VALVE BANK. THE CONTROLLER FOR THIS VALVE IS SHOWN TO THE SIDE.

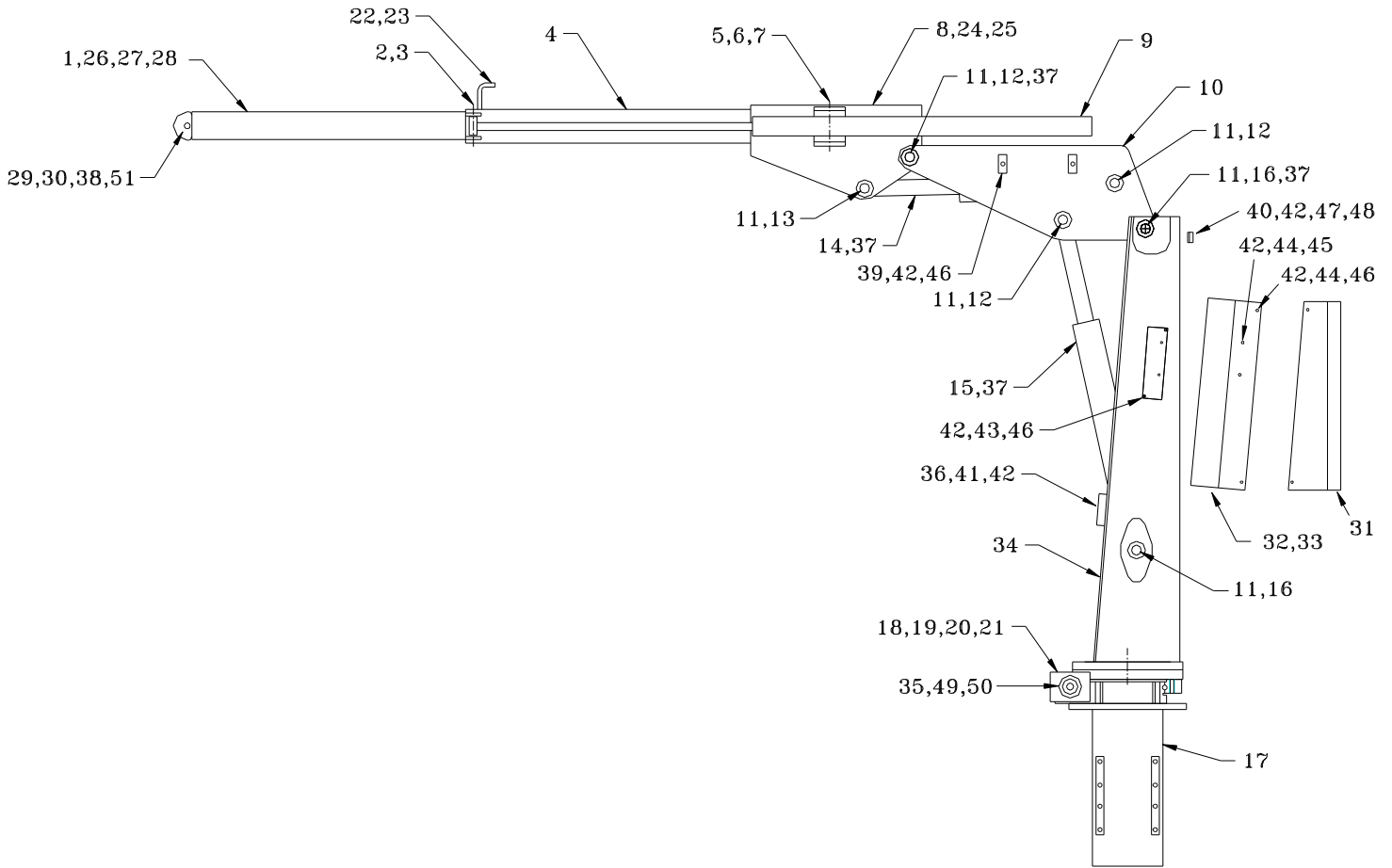
THE FUNCTIONS THAT IT CONTROLS ARE AS FOLLOWS:

INNER BOOM UP & DOWN
OUTER BOOM UP & DOWN
EXTENSION BOOM IN & OUT
ROTATION CW & CCW

TO RUN ANY HYDRAULIC FUNCTIONS THE PUSH BUTTON SWITCH (AS SHOWN TO THE SIDE) MUST FIRST BE ACTIVATED.



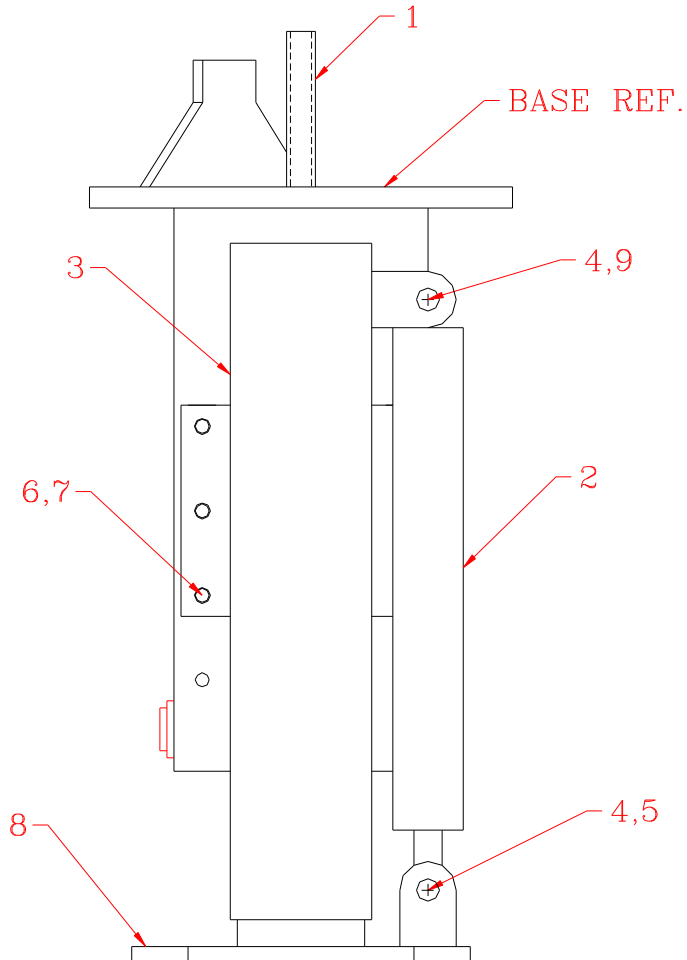
CRANE ASSEMBLY



26	0537	NUT, .50-13	2
25	3332	CAP SCR, .25-20 X .50 SHFL	8
24	3331	PLATE, WEAR PAD	2
23	C4549	HITCH PIN	1
22	3268	PIN, LATCHING	1
21	C4813	WASHER, .56 GR8	27
20	5443	CAP SCR, .56-12 X 3.50	15
19	5444	CAP SCR, .56-12 X 4.00	12
18	C6221	ROTATOR	1
17	3253	BASE	1
16	3263	PIN, 1.25x10.63	2
15	C6224	CYLINDER, MAIN	1
14	C4788	CYLINDER, OUTER	1
13	3265	PIN, 1.25x5.25	1
12	3264	PIN, 1.25x6.88	3
11	0171	RETAINING RING, 1.25	12
10	3191	INNER BOOM	1
09	C4789	CYLINDER, EXT	1
08	3183	OUTER BOOM	1
07	0523	WASHER, 0.38 LOCK	4
06	0492	CAP SCR, 0.38-16 X .75	4
05	3267	PLATE, CYL MTC	2
04	3177	EXT BOOM	1
03	0110	RETAINING RING, 1.00	2
02	3266	PIN, 1.00x3.75	1
01	3173	EXT BOOM, MANUAL	1
ITEM	PART No.	DESCRIPTION	QTY

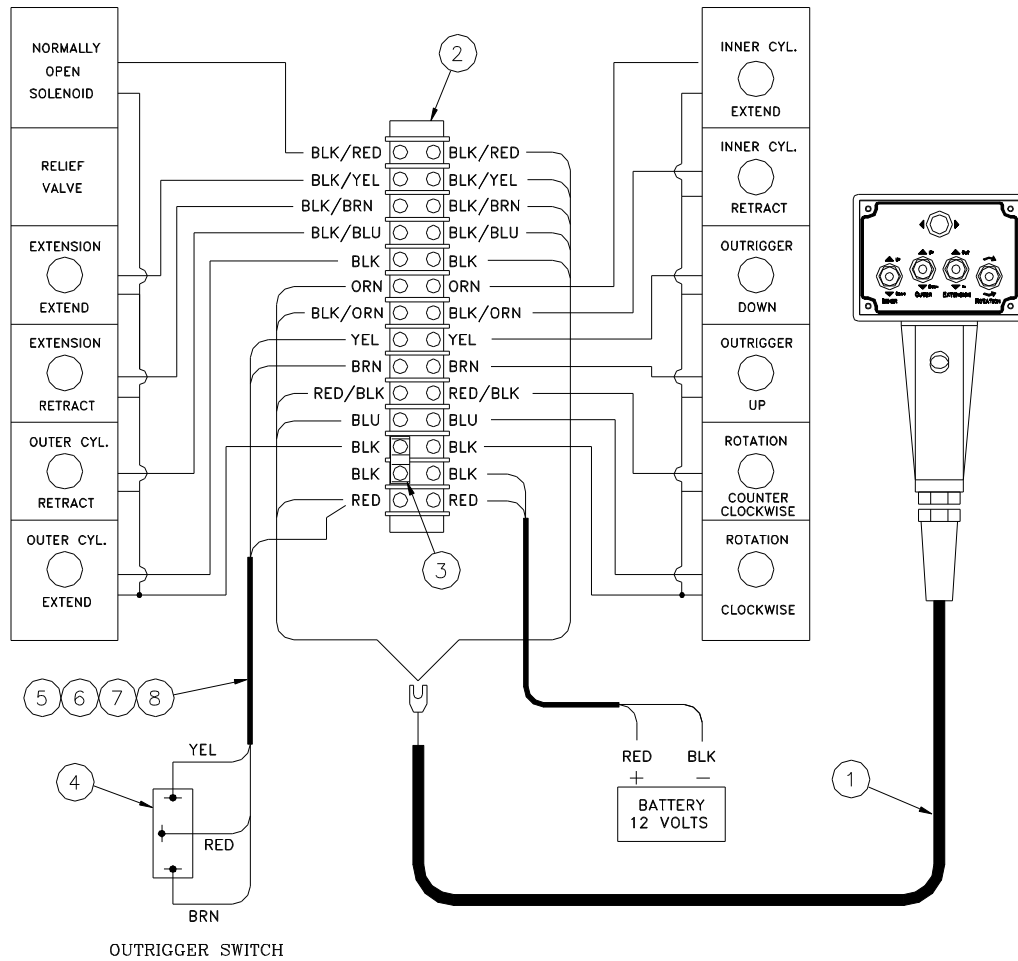
52	C6263	DECAL, 1210 IDENTIFICATION	2
51	2826	NUT, 0.62-11 NYLOC	1
50	D0790	WASHER, .50 FLAT GR8	2
49	D1307	CAP SCR, .50-13 X 1.25 SH	2
48	0342	NUT, .31-18 NYLOC	1
47	0486	CAP SCR, .31-18 X 1.50	1
46	0333	NUT, .25-20 NYLOC	14
45	0521	WASHER, .25 LOCK	4
44	0479	CAP SCR, .25-20 X .75	8
43	0438	CAP SCR, .25-20 X 2.25	4
42	C1033	WASHER, .25 FLAT	16
41	0220	CAP SCR, .25-20 X 1.50	4
40	3381	CLAMP, HOSE	1
39	3382	CLAMP, HOSE	2
38	2827	CAP SCR, 0.58-11 X 4.00	1
37	0249	BUSHING, GS 2022 20	12
36	3865	PAD, RUBBER	2
35	C6069	MOTOR, HYD	1
34	3198	MAST	1
33	3519	GUARD, VB SIDE	1
32	3327	GUARD, VB SIDE	1
31	3326	GUARD, VB	1
30	3325	BUSHING	1
29	C6018	HOOK, CRANE	1
28	C6106	NUT, .50-13 NYLOC	1
27	3333	ROD, .50-13 THREADED	40"
ITEM	PART No.	DESCRIPTION	QTY

OUTRIGGER PARTS ASSEMBLY



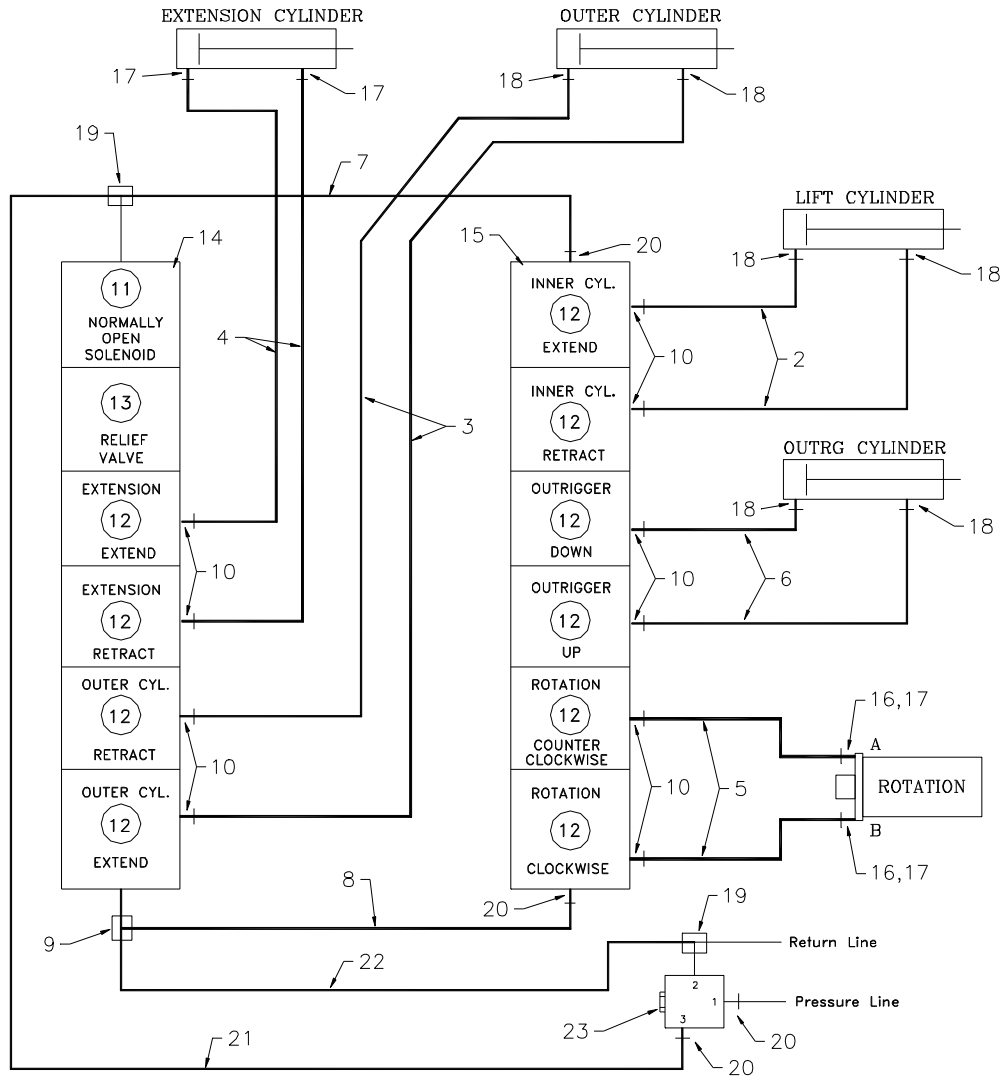
09	3292	PIN	2
08	3276	OUTRIGGER LEG	2
07	C1044	LOCK WASHER	1
06	C0990	CAP SCREW	2
05	3283	PIN	2
04	0298	RETAINING RING	1
03	3272	OUTRIGGER HOUSING	2
02	C5421	CYLINDER, OUTRIGGER	1
01	3256	NIPPLE, .75 X 14.00	1
ITEM	PART No.	DESCRIPTION	QTY

CONTROL KIT



10	C6004	TERMINAL, FM SPADE	25
09	C0860	TERMINAL, #8 FORK	15
08	C4131	LOOM, 3/8	10'
07	C4689	WIRE, 14GA RED	10'
06	C4958	WIRE, 14GA YELLOW	10'
05	C4688	WIRE, 14GA BROWN	10'
04	C4722	SWITCH, MOM TOGGLE	1
03	C1190	TERMINAL SADDLE	1
02	C4848	TERMINAL STRIP, 14 BLOCK	1
01	3773	HANDLE ASSEMBLY	1
ITEM	PART No.	DESCRIPTION	QTY

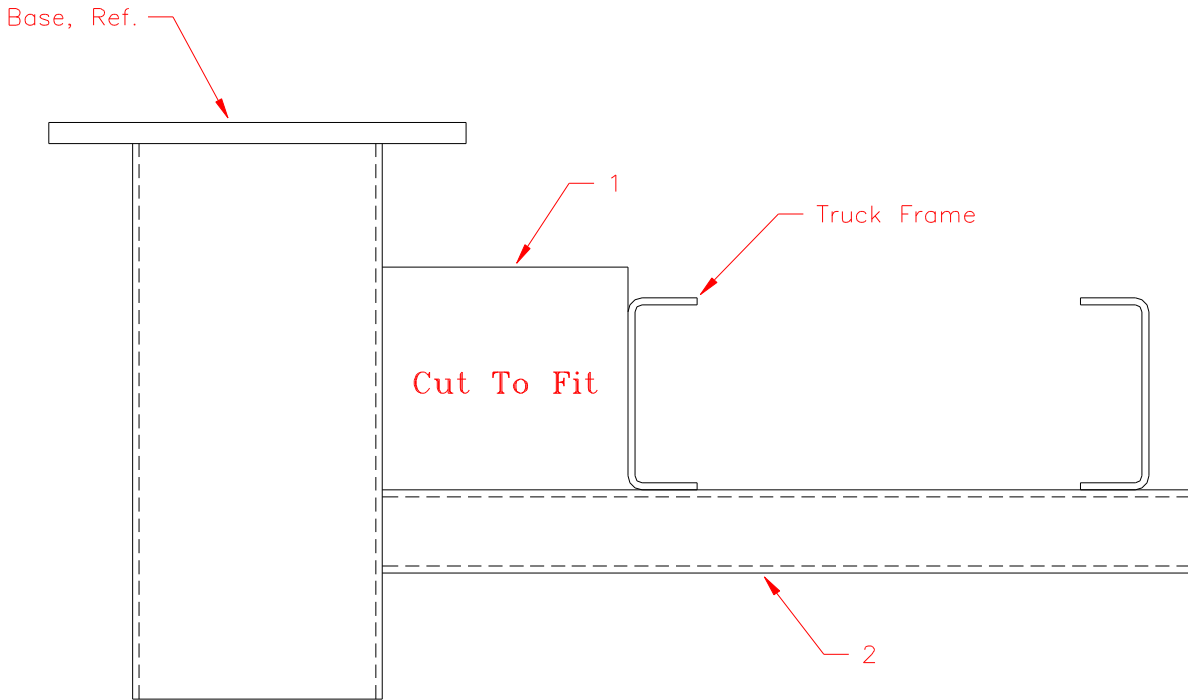
HYDRAULIC KIT



12	C3279	SOLENOID VALVE, NC	10
11	C3280	SOLENOID VALVE, NO	1
10	C5572	FTG, 45° 4-V50LO-S	10
09	C2343	FTG, TEE 6-R50LO-S	1
08	7771	HOSE ASM, 0.38 X 15	1
07	7770	HOSE ASM, 0.25 X 11.50	1
06	7769	HOSE ASM, 0.25 X 89	2
05	7768	HOSE ASM, 0.25 X 100	2
04	7767	HOSE ASM, 0.25 X 93	2
03	7766	HOSE ASM, 0.25 X 42	2
02	7765	HOSE ASM, 0.25 X 25	2
01	7655	HOSE KIT, 1210 CRANE (incl. 2-8,21,22)	1
ITEM	PART No.	DESCRIPTION	QTY

24	.	.	.
23	9181	VALVE, FLOW CONTROL 2 GPM	1
22	9396	HOSE ASM, 0.38 X 60	1
21	9395	HOSE ASM, 0.25 X 72	1
20	C0338	FTG, ADPTR 6-C50LO-S	4
19	C2345	FTG, TEE 6-S50LO-S	2
18	3338	FTG, 90° 4-6 C50LO-S	6
17	C4922	FTG, ADPTR 4-6 F50LO	4
16	C1111	FTG, ADAPTR 10-6 F50G5	2
15	C3269	MANIFOLD	1
14	C3270	MANIFOLD	1
13	C3282	RELIEF VALVE	1
ITEM	PART No.	DESCRIPTION	QTY

INSTALLATION



02	TUBE, 8x3x1/4 x 41.00	1
01	PLATE, 3/8x8x12	2
ITEM	DESCRIPTION	QTY

- 1.) THE 1210 CRANE REQUIRES A 9.50 X 9.50 HOLE TO BE CUT THRU THE FLOOR OF THE BODY. THIS HOLE ALLOWS THE BASE TUBE TO BE INSERTED FROM THE TOP.
- 2.) THE BASE CAN THEN BE ATTACHED TO THE TRUCK FRAME WITH THE ITEMS SHOWN ABOVE. FIRST THE 8 X 3 TUBE IS POSITIONED SUCH THAT IT RUNS FROM UNDER THE TRUCK FRAME TO THE CRANE BASE. THIS ALLOWS IT TO BE WELDED TO BOTH THE TRUCK FRAME AND THE BASE OF THE CRANE.
- 3.) TO FURTHER SECURE THE CRANE TO THE TRUCK, 2 PLATES (3/8x8) ARE WELDED TO THE TRUCK FRAME, THE 8x3 TUBE AND ALSO THE 9x9 TUBING STRUCTURE OF THE CRANE BASE. THESE PLATES SHOULD BE SPACED 6.00" APART.
- 4.) THIS ALLOWS THE CRANE FORCES TO BE DISTRIBUTED TO THE TRUCK CHASSIS AND NOT TO THE BODY.
- 5.) THIS PROCEDURE WILL FIRMLY ATTACH THE 1210 CRANE TO THE TRUCK CHASSIS.

Limited Warranty Statement

for Stellar Tire Service Trucks, Truck-mounted Cranes, & Truck-mounted Compressed Air Systems ONLY

Stellar Industries, Inc. (Stellar) warrants products designed and manufactured by Stellar to be free from defects in material and workmanship under proper use and maintenance. Products must be installed and operated in accordance with Stellar's written instructions and capacities. The warranty period shall cover the following:

Twelve (12) month warranty on all Stellar designed and fabricated parts, and Ninety (90) days repair labor

The warranty period shall begin from the date recorded by Stellar as the in-service date. This date will be derived from the completed warranty registration card. In the event a warranty registration card is not received by Stellar, the factory ship date will be used. Stellar's obligation under this warranty is limited to, and the sole remedy for any such defect shall be, the repair and/or replacement (at Stellar's option) of the unaltered part and/or component in question. Stellar after-sales service personnel must be notified by telephone, fax, or letter of any warranty-applicable damage within fourteen (14) days of its occurrence. If at all possible, Stellar will ship the replacement part within 24-hours of notification by the most economical, yet expedient, means possible. Expedited freight delivery will be at the expense of the owner.

Warranty claims must be submitted and shall be processed in accordance with Stellar's established warranty claim procedure. Stellar Service personnel must be contacted prior to any warranty claim. A return materials authorization (RMA) account number must be issued to the claiming party prior to the return of any warranty parts. Parts returned without prior authorization will not be recognized for warranty consideration. All damaged parts must be returned to Stellar freight prepaid; freight collect returns will be refused.

Warranty service will be performed by any Stellar new equipment distributor, or by any Stellar-recognized service center authorized to service the type of product involved, or by the Stellar factory in the event of a direct sale. At the time of requesting warranty service, the owner must present evidence of date of delivery of the product. The owner shall be obligated to pay for any overtime labor requested of the servicing company by the owner, any field service call charges, and any towing and/or transportation charges associated with moving the equipment to the designated repair/service provider.

All obligations of Stellar and its authorized dealers and service providers shall be voided if someone other than an authorized Stellar dealer provides other than routine maintenance service without prior written approval from Stellar. In the case repair work is performed on a Stellar-manufactured product, original Stellar parts must be used to keep the warranty in force. The warranty may also be voided if the product is modified or altered in any way not approved, in writing, by Stellar.

The owner/operator is responsible for furnishing proof of the date of original purchase of the Stellar product in question.

Warranty registration is the ultimate responsibility of the owner and may be accomplished by the completion and return of the Stellar product registration card provided with the product. If the owner is not sure of registration, he is encouraged to contact Stellar at the address below to confirm registration of the product in question. This warranty covers only defective material and workmanship. It does not cover depreciation or damage caused by normal wear and tear, accident, mishap, untrained operators, or improper or unintended use. The owner has the obligation of performing routine care and maintenance duties as stated in Stellar's written instructions, recommendations, and specifications. Any damage resulting from owner/operator failure to perform such duties shall void the coverage of this warranty. The cost of labor and supplies associated with routine maintenance will be paid by the owner.

The only remedies the owner has in connection with the breach or performance of any warranty on the Stellar product specified are those set above. In no event will Stellar, the Stellar distributor/dealer, or any company affiliated with Stellar be liable for business interruptions, costs of delay, or for any special, indirect, incidental, or consequential costs or damages. Such costs may include, but are not limited to, loss of time, loss of revenue, loss of use, wages, salaries, commissions, lodging, meals, towing, hydraulic fluid, or any other incidental cost.

All products purchased by Stellar from outside vendors shall be covered by the warranty offered by that respective manufacturer only. Stellar does not participate in, or obligate itself to, any such warranty.

Stellar reserves the right to make changes in design or improvement upon its products without imposing upon itself the same upon its products theretofore manufactured.

This warranty will apply to all Stellar Tire Service Trucks, Truck-mounted Cranes, & Truck-mounted Compressed Air Systems shipped from Stellar's factory after January 1, 1997. The warranty is for the use of the original owner only and is not transferable without prior written permission from Stellar.

THIS WARRANTY IS EXPRESSLY IN LIEU OF ANY OTHER WARRANTIES, EXPRESS OR IMPLIED, INCLUDING ANY WARRANTY OF MERCHANTABILITY OR FITNESS FOR A PARTICULAR PURPOSE. REMEDIES UNDER THIS WARRANTY ARE LIMITED TO THE PROVISION OF MATERIAL AND SERVICES, AS SPECIFIED HEREIN. STELLAR INDUSTRIES, INC. IS NOT RESPONSIBLE FOR INCIDENTAL OR CONSEQUENTIAL DAMAGES.

**Stellar Industries, Inc. • 280 West Third Street • Garner, Iowa 50438
U.S.A. Telephone: 800/392-3015; 515/923-3741 • Fax: 515/923-2812; 515/923-2811**

revised 1/1/97