



CRANE

MODEL 28000

280 W. 3rd St., Box 169 • Garner, IA 50438 • Phone: 641-923-3741 • Fax: 641-923-2812

UPDATED 01/22/03

TABLE OF CONTENTS
STELLAR CRANE 28,000

SPECIFICATION SHEET3

CAPACITY CHART4

CRANE OPERATION5

BASE ASSEMBLY6

OUTRIGGER ASSEMBLY.....7

MAST ASSEMBLY8

MAIN BOOM ASSEMBLY.....9

EXTENSION BOOM ASSEMBLY10

INSTALLATION KIT.....11

OIL TANK ASSEMBLY WITHOUT HEATER.....12

OIL TANK ASSEMBLY WITH HEATER13

CONTROL KIT RADIO CONTROL14

HYDRAULIC KIT.....15

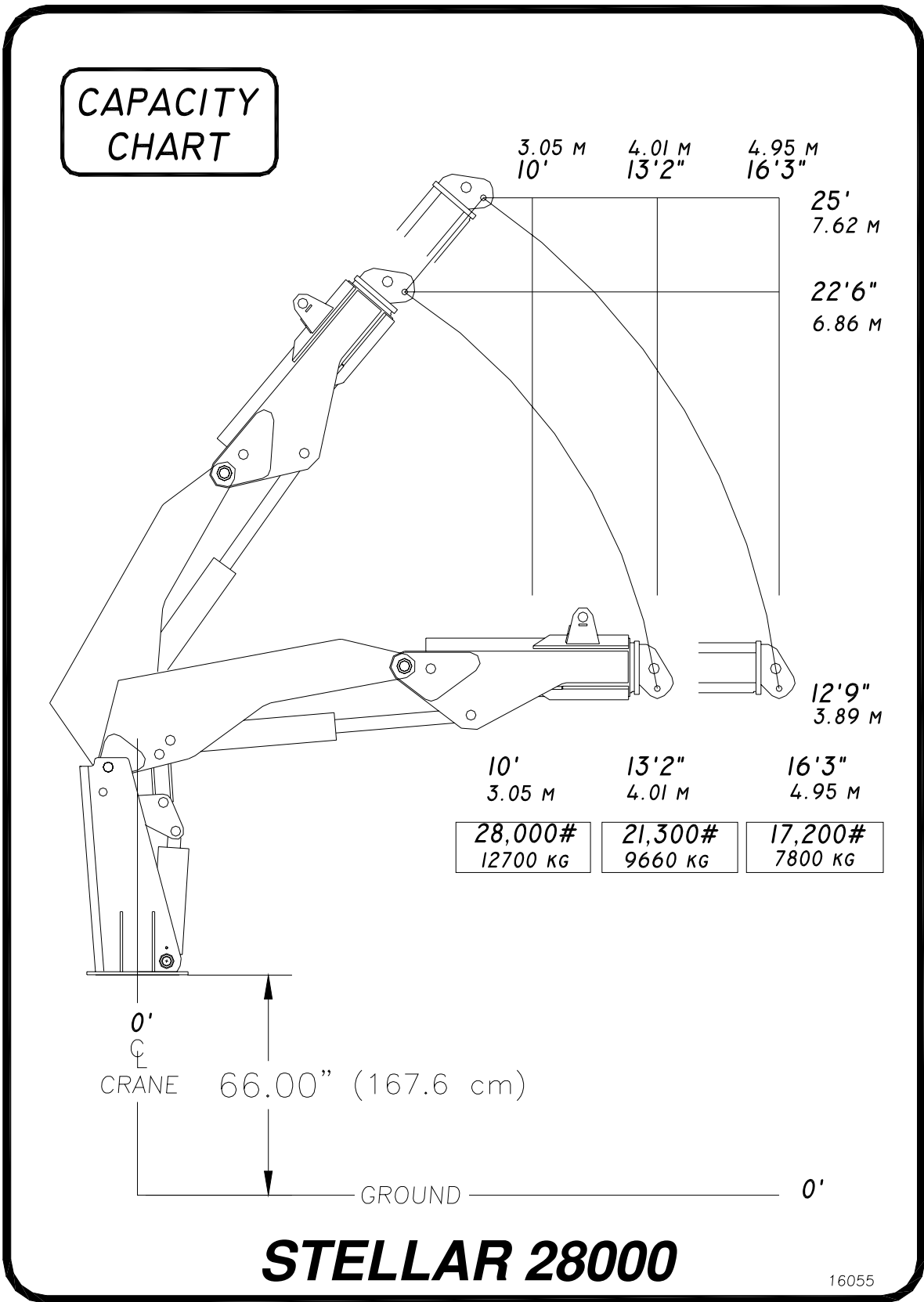
DECAL KIT16

LIMITED WARRANTY STATEMENT.....17

SPECIFICATION SHEET

| | |
|---|---|
| Crane Rating | 280,000 ft-lbs(38.71 ton-meters) |
| Standard Boom Length | 13' 2"(4.01 m)-from CL of Crane |
| Boom Extension | Hydraulic 37"(94.0 cm) |
| Maximum Horizontal Reach | 16' 3"(4.95 m)-from CL of Crane |
| Maximum Vertical Lift (from truck frame) | 25'(7.62 m) |
| Inner Lift Cylinder | 9"(22.9 cm) bore with integral pilot operated counterbalance valves. |
| Outer Lift Cylinder | 7"(17.8 cm) bore with integral pilot operated counterbalance valves. |
| Extension Cylinder | 6"(15.2 cm) bore with integral pilot operated counterbalance valves. |
| Rotation | 315 degree power (planetary gear with pinion) |
| Lifting Capacities | 28,000 lbs @ 10' (12700 kg @ 3.05 m) 21,300 lbs @ 13' 2" (9660 kg @ 4.01 m) 17,200 lbs @ 16' 3" (7800 kg @ 4.95 m) |
| Power Supply Required | PTO & Pump (20 gpm @ 4200 psi) (75.7 lpm @ 290 bars) |
| Controls | Fully proportional paddle controls for all functions |
| Stowed Height (Above truck frame) | 114 inches (289.6 cm) |
| Mounting Space Required | 48 inches (121.9 cm) |
| Approximate Shipping Weight | 13,000 pounds (5895 kg) |

CAPACITY CHART



CRANE OPERATION

CRANE OPERATION

THIS CRANE IS CONTROLLED BY AN ELECTRONICALLY OPERATED VALVE BANK. THE CONTROLLER FOR THIS VALVE IS SHOWN BELOW.

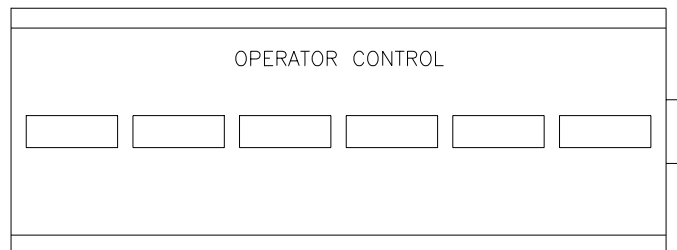
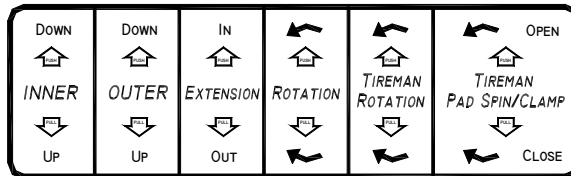
THE FUNCTIONS THAT IT CONTROLS ARE AS FOLLOWS:

- INNER BOOM UP & DOWN
- OUTER BOOM UP & DOWN
- EXTENSION BOOM IN & OUT
- ROTATION CW & CCW
- TIREMAN CLAMP
- TIREMAN ROTATION

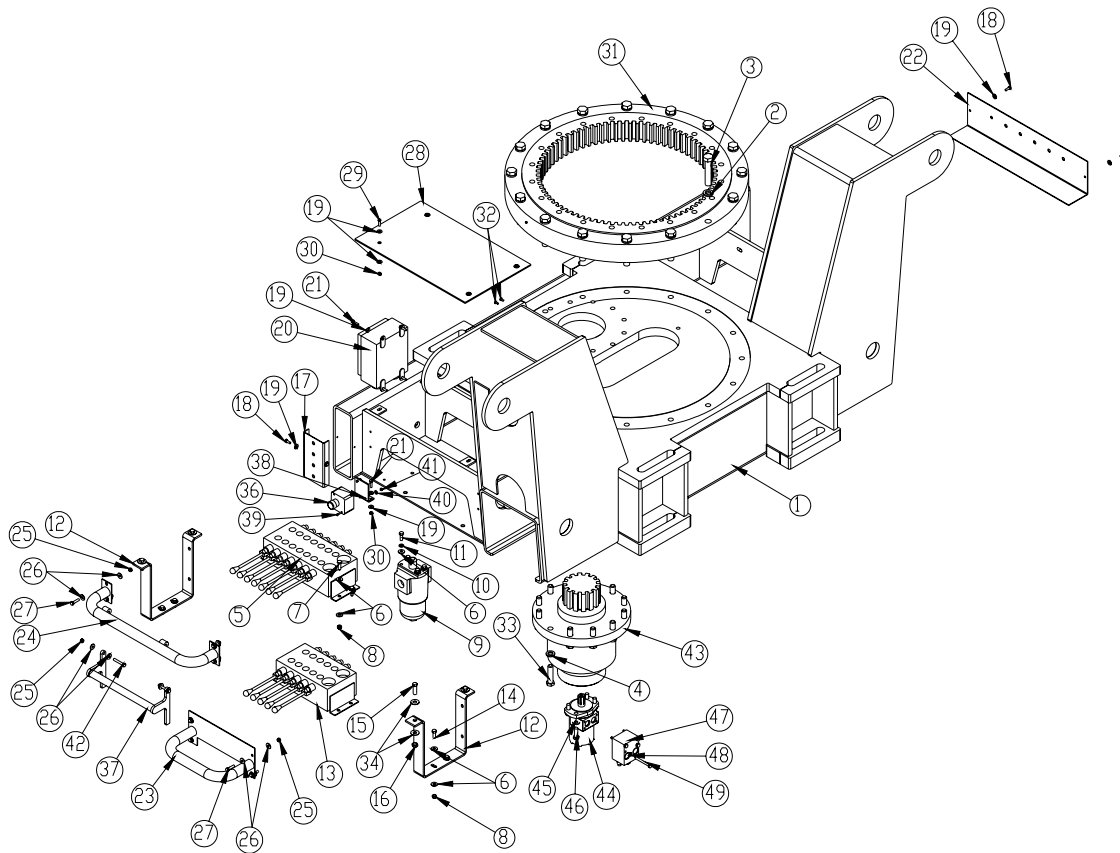
THIS IS A FULLY PROPORTIONAL HYDRAULIC SYSTEM.

TO OPERATE A FUNCTION, PUSH OR PULL THE PADDLE A DESIRED DISTANCE TO VARY THE SPEED.

NOTE: IN THE EVENT THAT CRANE HYDRAULICS WILL NOT OPERATE WITH THE HANDLE, USE THE MANUAL OVERRIDES LOCATED ON THE VALVE BANK



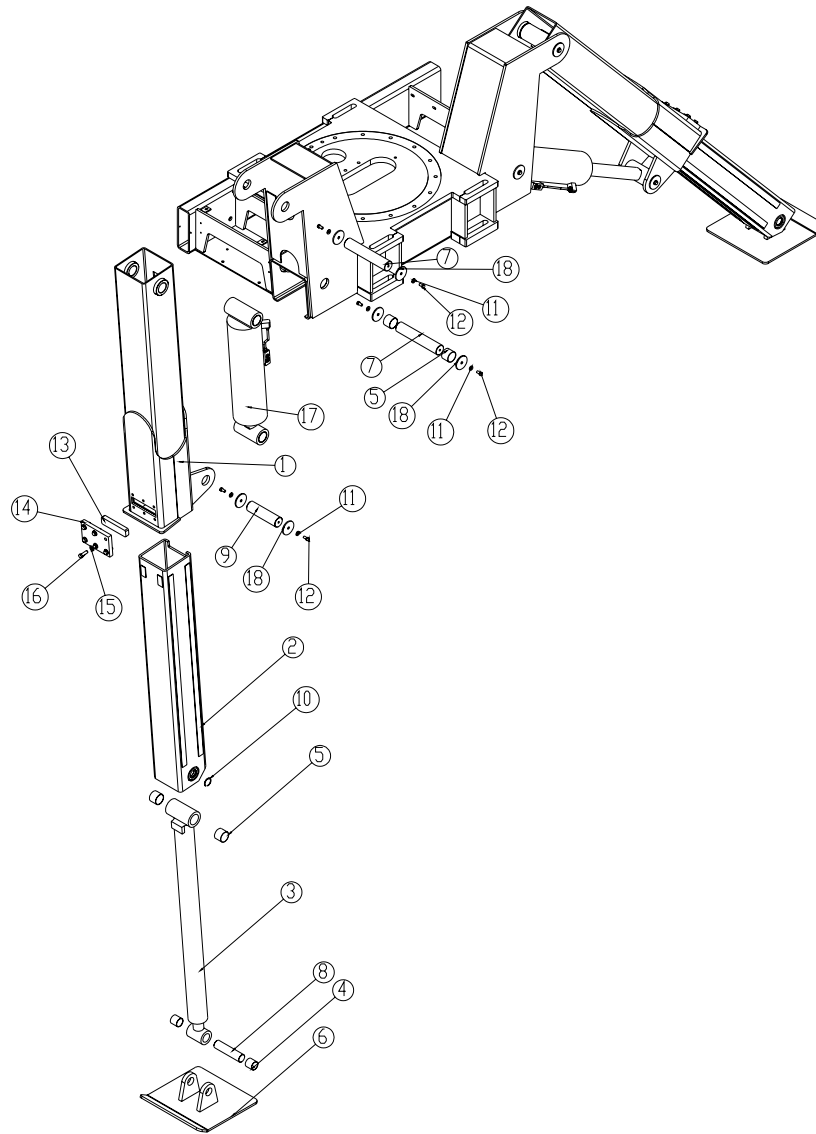
BASE ASSEMBLY P/N 18070



| ITEM | PART | DESCRIPTION | QTY. | ITEM | PART | DESCRIPTION | QTY. |
|------|-------|---------------------------------|------|------|-------|---------------------------------|------|
| 1 | 15596 | BASE CRANE 28000 | 1 | 26 | 0343 | WASHER 0.31 FLAT | 20 |
| 2 | 18041 | WASHER 0.88 SAE FLAT YELLOW GR9 | 16 | 27 | 0485 | CAP SCR 0.31-18X1.25 HHGR5 | 8 |
| 3 | 17962 | CAP SCR 0.88-9X4.50 HHGR9 ZY | 16 | 28 | 16606 | PLATE COVER 28000 | 1 |
| 4 | C6219 | WASHER 0.75 SAE FLAT YELLOW GR8 | 12 | 29 | C6022 | CAP SCR 0.25-20X1.00 BTNHD SS | 4 |
| 5 | 9672 | VB 7 SECT FPS TM12154 | 1 | 30 | 0333 | NUT 0.25-20 HHGR5 NYLOC | 6 |
| 6 | 0346 | WASHER 0.38 FLAT | 20 | 31 | 18471 | TURNTABLE BEARING 23000 | 1 |
| 7 | 0335 | CAP SCR 0.38-16X1.25 HHGR5 | 4 | 32 | D1711 | CAP SCR #10-24X0.50 BTNHD SS | 2 |
| 8 | 0347 | NUT 0.38-16 HH NYLOC | 8 | 33 | C1028 | CAP SCR 0.75-10X3.00 HHGR8 ZY | 12 |
| 9 | 9334 | FILTER PRESSURE 15000 CRANE | 1 | 34 | 0519 | WASHER 0.44 USS FLAT ZINC | 8 |
| 10 | 0523 | WASHER 0.38 LOCK | 4 | 35 | 8621 | CLAMP HOSE/TUBE AG-3 | 2 |
| 11 | 11691 | CAP SCR 0.38-24X1.00 HHGR8 | 4 | 36 | 22921 | E-STOP PANIC BAR 28000 | 1 |
| 12 | 15599 | BRACKET VB 28000 | 2 | 37 | 22917 | BAR PANIC 28000 | 1 |
| 13 | 11455 | VB 5 SECT FPS TM12154 | 1 | 38 | 22918 | BRACKET E-STOP 28000 | 1 |
| 14 | 0351 | CAP SCR 0.38-16X1.00 HHGR5 | 4 | 39 | 22183 | CAP SCR #8-32X0.75 BTNHD SS | 2 |
| 15 | 0359 | CAP SCR 0.50-13X1.50 HHGR5 | 4 | 40 | 22185 | WASHER 0.19 FLAT SS | 2 |
| 16 | C6106 | NUT 0.50-13 HHGR5 NYLOC | 4 | 41 | 22186 | NUT #8-32 HH NYLOC SS | 2 |
| 17 | 15407 | PLATE SWITCH MTG 28000 | 1 | 42 | 0488 | CAP SCR 0.31-18X2.00 HHGR5 | 2 |
| 18 | 0479 | CAP SCR 0.25-20X0.75 HHGR5 | 4 | 43 | 22929 | GEARBOX PLANETARY 28000 | 1 |
| 19 | 0340 | WASHER 0.25 FLAT | 22 | 44 | 22934 | MOTOR HYD ROSS MG082511AAAB | 1 |
| 20 | 13390 | RECEIVER OMNEX RADIO | 1 | 45 | D0790 | WASHER 0.50 FLAT GR8 | 4 |
| 21 | 0480 | CAP SCR 0.25-20X1.00 HHGR5 | 6 | 46 | 10548 | CAP SCR 0.50-13X1.50 HHGR8 | 4 |
| 22 | 11689 | PLATE SWITCH MTG 23000 CRANE | 1 | 47 | 22935 | VALVE BLOCK CBCA-LAN-XTS | 1 |
| 23 | 16498 | GUARD VB 28000 | 1 | 48 | 5591 | WASHER 0.31 SAE FLAT YELLOW GR8 | 4 |
| 24 | 16501 | GUARD VB 28000 | 1 | 49 | C0930 | CAP SCR 0.31-18X3.00 HHGR5 | 4 |
| 25 | 0342 | NUT 0.31-18 HH NYLOC | 12 | | | | |

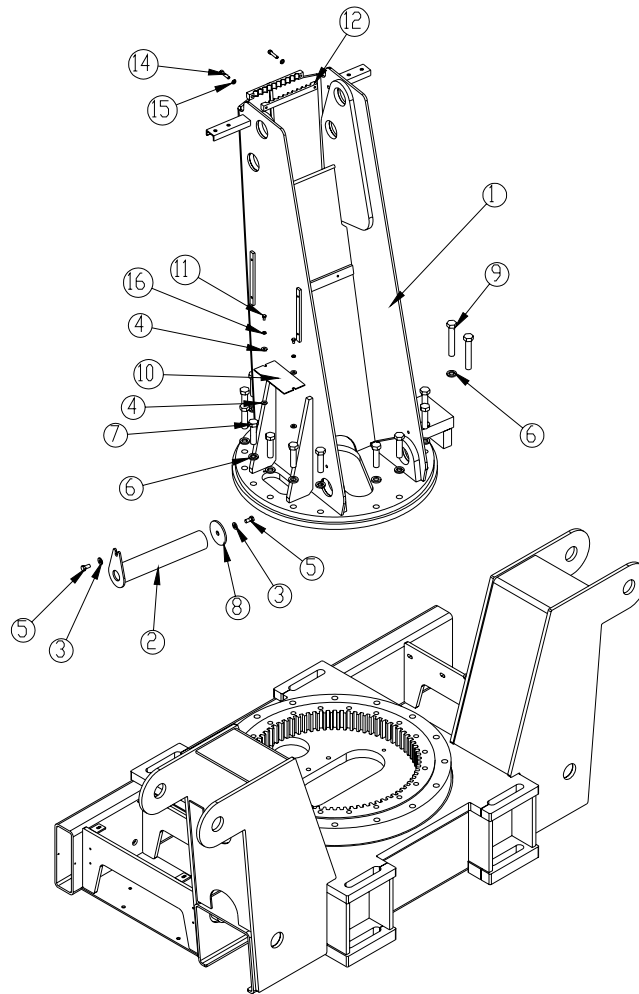
OUTRIGGER ASSEMBLY

P/N 18072



| ITEM | PART | DESCRIPTION | QTY. | ITEM | PART | DESCRIPTION | QTY. |
|------|-------|-----------------------------------|------|------|-------|-------------------------------|------|
| 1 | 15504 | OUTRIGGER 28000 | 2 | 12 | 10172 | CAP SCR 0.50-13X1.00 HHGR8 ZY | 12 |
| 2 | 15502 | OUTRIGGER LEG 28000 | 2 | 13 | 10179 | WEAR PAD OUTRIGGER 23000 | 2 |
| 3 | 9994 | CYLINDER 4.00X50.00 | 2 | 14 | 10180 | COVER WEAR PAD 23000 | 2 |
| 4 | 4381 | BUSHING 32DXR32 2.00X2.00 GARLOCK | 4 | 15 | C5902 | WASHER 0.63 FLAT GR8 | 12 |
| 5 | 0635 | BUSHING 40DXR32 GARLOCK | 8 | 16 | C1025 | CAP SCR 0.63-11X2.00 HHGR8 ZY | 12 |
| 6 | 9969 | OUTRIGGER PAD 23000 | 2 | 17 | 19031 | CYLINDER ASM 9993 | 2 |
| 7 | 9995 | PIN 2.50X13.38 D&T | 4 | 18 | 8377 | PIN CAP 0.56X3.50X.25 | 12 |
| 8 | 9997 | PIN 2.00x8.25 | 2 | 19 | 8621 | CLAMP HOSE/TUBE AG-3 | 2 |
| 9 | 9996 | PIN 2.50X9.38 D&T | 2 | 20 | 0340 | WASHER 0.25 FLAT | 2 |
| 10 | 2257 | SNAP RING INSIDE 2.00 | 4 | 21 | 0342 | NUT 0.31-18 HH NYLOC | 2 |
| 11 | D0790 | WASHER 0.50 FLAT GR8 | 12 | | | | |

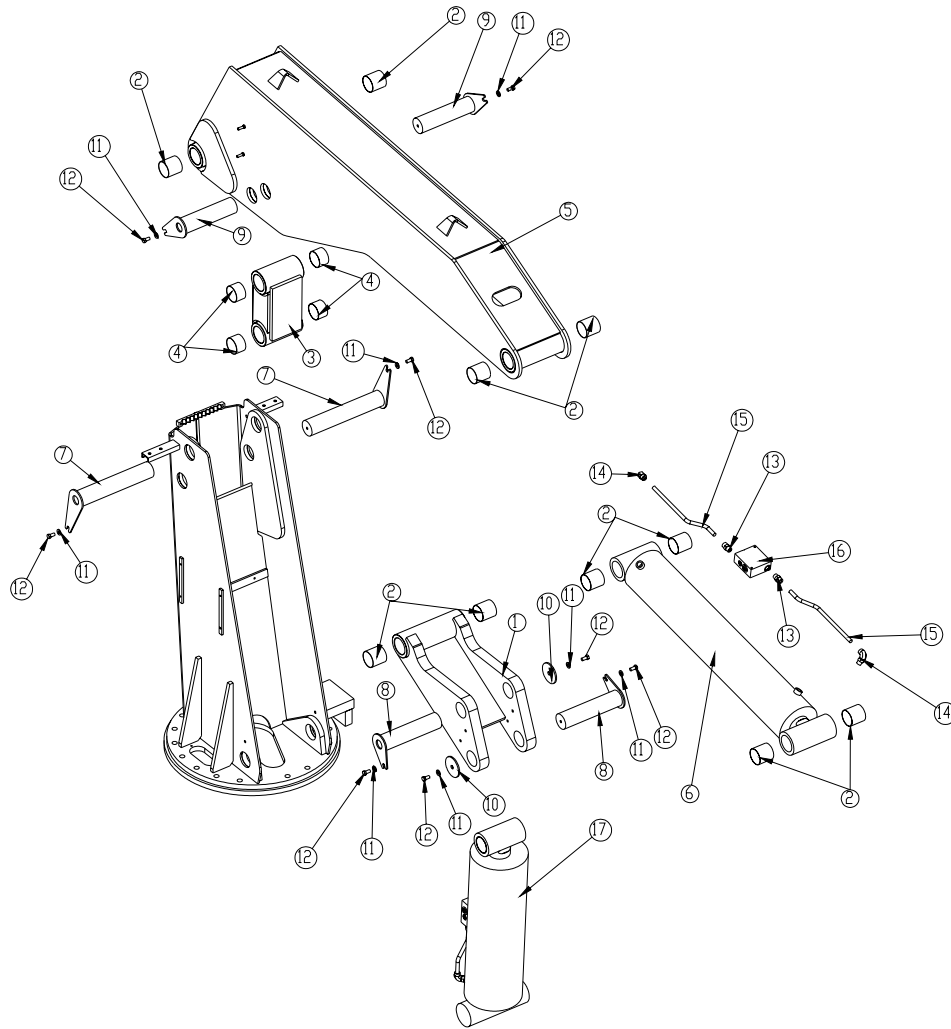
MAST ASSEMBLY P/N 18073



| ITEM | PART | DESCRIPTION | QTY. |
|------|-------|---------------------------------|------|
| 1 | 15403 | MAST 28000 | 1 |
| 2 | 15755 | TEAR DROP PIN 3.00X16.13 | 1 |
| 3 | D0790 | WASHER 0.50 FLAT GR8 | 2 |
| 4 | 0343 | WASHER 0.31 FLAT | 4 |
| 5 | 10172 | CAP SCR 0.50-13X1.00 HHGR8 ZY | 2 |
| 6 | 18041 | WASHER 0.88 SAE FLAT YELLOW GR9 | 18 |
| 7 | 17963 | CAP SCR 0.88-9X3.50 HHGR9 ZY | 16 |
| 8 | 8597 | PIN CAP 0.69x4.00x0.25 SS | 1 |
| 9 | 17964 | CAP SCR 0.88-9X5.50 HHGR8 | 2 |
| 10 | 11297 | PLATE INSPECTION MAST 23000 | 1 |
| 11 | 0484 | CAP SCR 0.31-18 X 0.50 HHGR5 | 2 |
| 12 | 17133 | HOSE CLAMP 28000 | 1 |
| 14 | 11882 | CAP SCR 0.38-16X1.75 SH ZC | 2 |
| 15 | 0523 | WASHER 0.38 LOCK | 2 |
| 16 | 0522 | WASHER 0.31 LOCK | 2 |

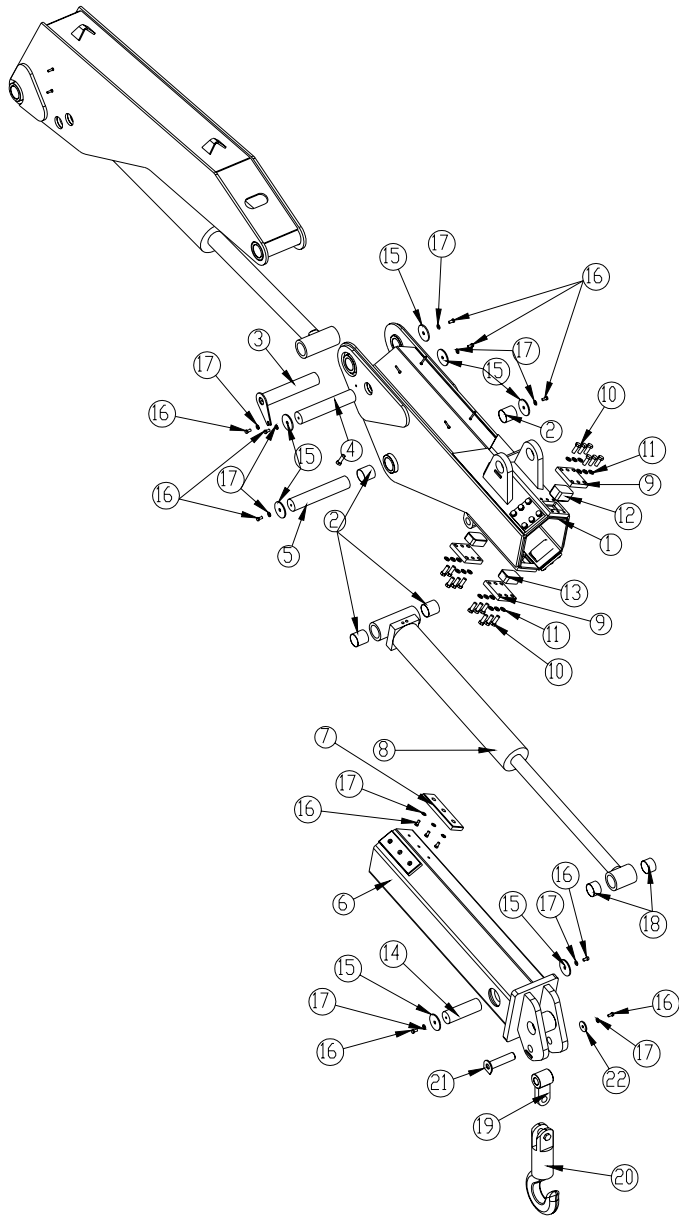
MAIN BOOM ASSEMBLY

P/N 18074



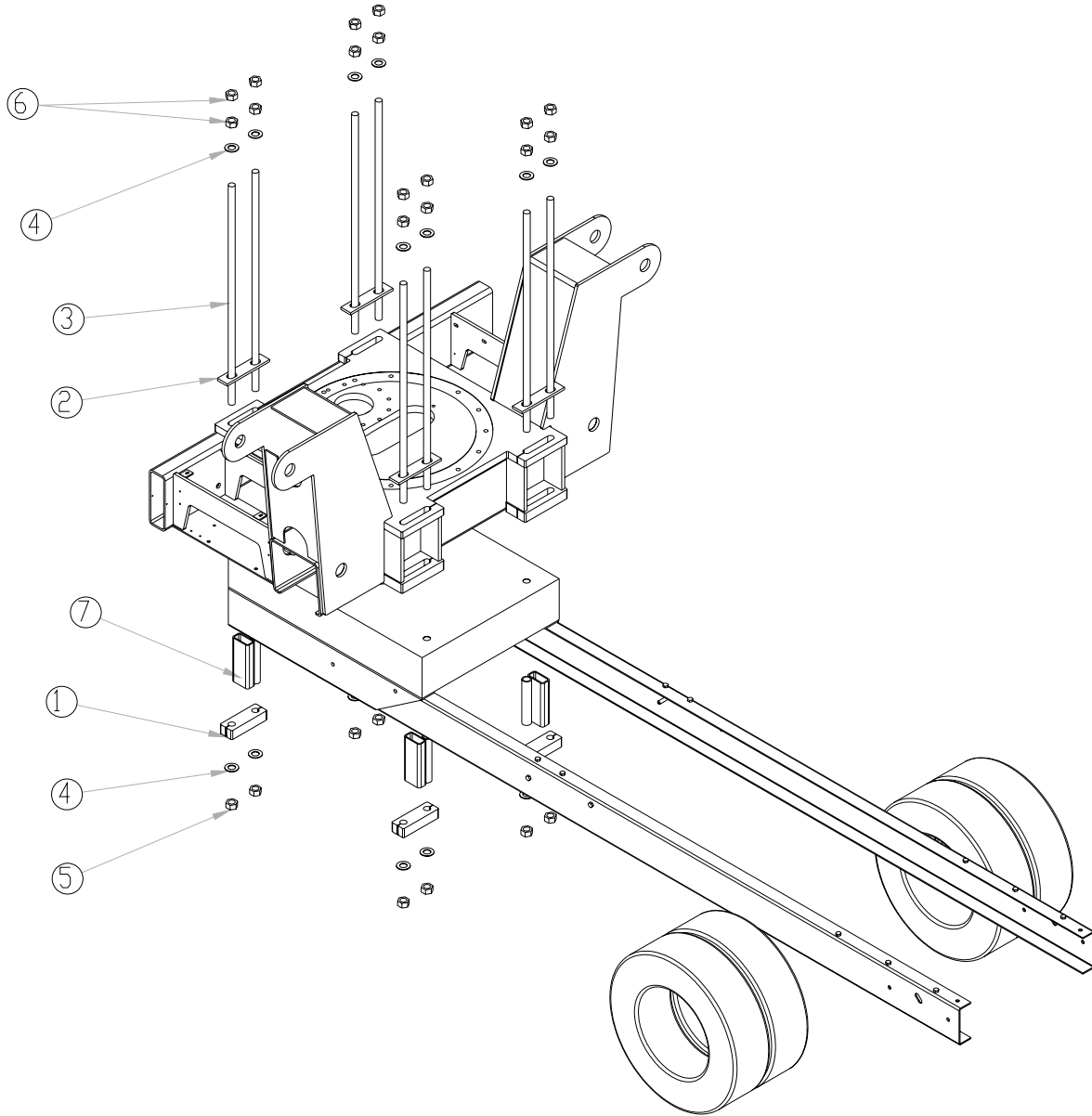
| ITEM | PART | DESCRIPTION | QTY. |
|------|-------|-------------------------------|------|
| 1 | 15495 | LINK MAIN 28000 | 1 |
| 2 | 2227 | BUSHING 48DXR48 GARLOCK | 10 |
| 3 | 15497 | LINK WLDMT 28000 MAIN | 1 |
| 4 | 0865 | BUSHING 48DXR32 GARLOCK | 4 |
| 5 | 15398 | INNER BOOM 28000 | 1 |
| 6 | 15604 | CYLINDER 7.00X38.25 | 1 |
| 7 | 15758 | TEAR DROP PIN 3.00X16.13 | 2 |
| 8 | 15763 | TEAR DROP PIN 3.00X12.63 | 2 |
| 9 | 15760 | TEAR DROP PIN 3.00X11.63 | 2 |
| 10 | 8597 | PIN CAP 0.69x4.00x0.25 SS | 2 |
| 11 | D0790 | WASHER 0.50 FLAT GR8 | 8 |
| 12 | 10172 | CAP SCR 0.50-13X1.00 HHGR8 ZY | 8 |
| 13 | 16152 | FTG ADAPT 10-F50LD-S | 2 |
| 14 | 16153 | FTG ADAPT 10-C50LD-S | 2 |
| 15 | 16158 | TUBE ASM 0.63X16.09 | 2 |
| 16 | 15995 | MANIFOLD ASM DUAL T2A 5000PSI | 1 |
| 17 | 20694 | CYLINDER ASM 28000 MAST | 1 |
| 18 | 0523 | WASHER 0.38 LOCK | 2 |

EXTENSION BOOM ASSEMBLY P/N 18075



| ITEM | PART | DESCRIPTION | QTY. | ITEM | PART | DESCRIPTION | QTY. |
|------|-------|---------------------------------|------|------|-------|-------------------------------|------|
| 1 | 15393 | OUTER BOOM 28000 | 1 | 12 | 15778 | WEAR PAD 3.00X5.00X2.44 | 2 |
| 2 | 2227 | BUSHING 48DXR48 GARLOCK | 4 | 13 | 15779 | WEAR PAD 3.00X5.00X1.75 | 4 |
| 3 | 15765 | TEAR DROP PIN 3.00X15.38 | 1 | 14 | 15769 | PIN 3.00X9.13 D&T | 1 |
| 4 | 15766 | PIN 3.00X15.38 D&T | 1 | 15 | 8597 | PIN CAP 0.69x4.00x0.25 SS | 7 |
| 5 | 15768 | PIN 3.00X15.88 D&T | 1 | 16 | 10172 | CAP SCR 0.50-13X1.00 HHGR8 ZY | 15 |
| 6 | 15388 | EXT BOOM 28000 | 1 | 17 | D0790 | WASHER 0.50 FLAT GR8 | 15 |
| 7 | 15601 | WEAR PAD 1.00X4.00X12.00 | 2 | 18 | 0865 | BUSHING 48DXR32 GARLOCK | 2 |
| 8 | 15608 | CYLINDER 6.00X37.00 | 1 | 19 | 16054 | SWIVEL LINK 28000 CRANE | 1 |
| 9 | 15609 | PLATE WEAR PAD COVER 28000 | 6 | 20 | 16052 | HOOK 15 TON SWIVEL 297814 | 1 |
| 10 | 4543 | CAP SCR 0.75-10X2.00 HHGR8 ZY | 36 | 21 | 16028 | PIN TEAR DROP 1.75X7.06 | 1 |
| 11 | C6219 | WASHER 0.75 SAE FLAT YELLOW GR8 | 36 | 22 | 9142 | PIN CAP 0.56X2.50X.25 | 1 |

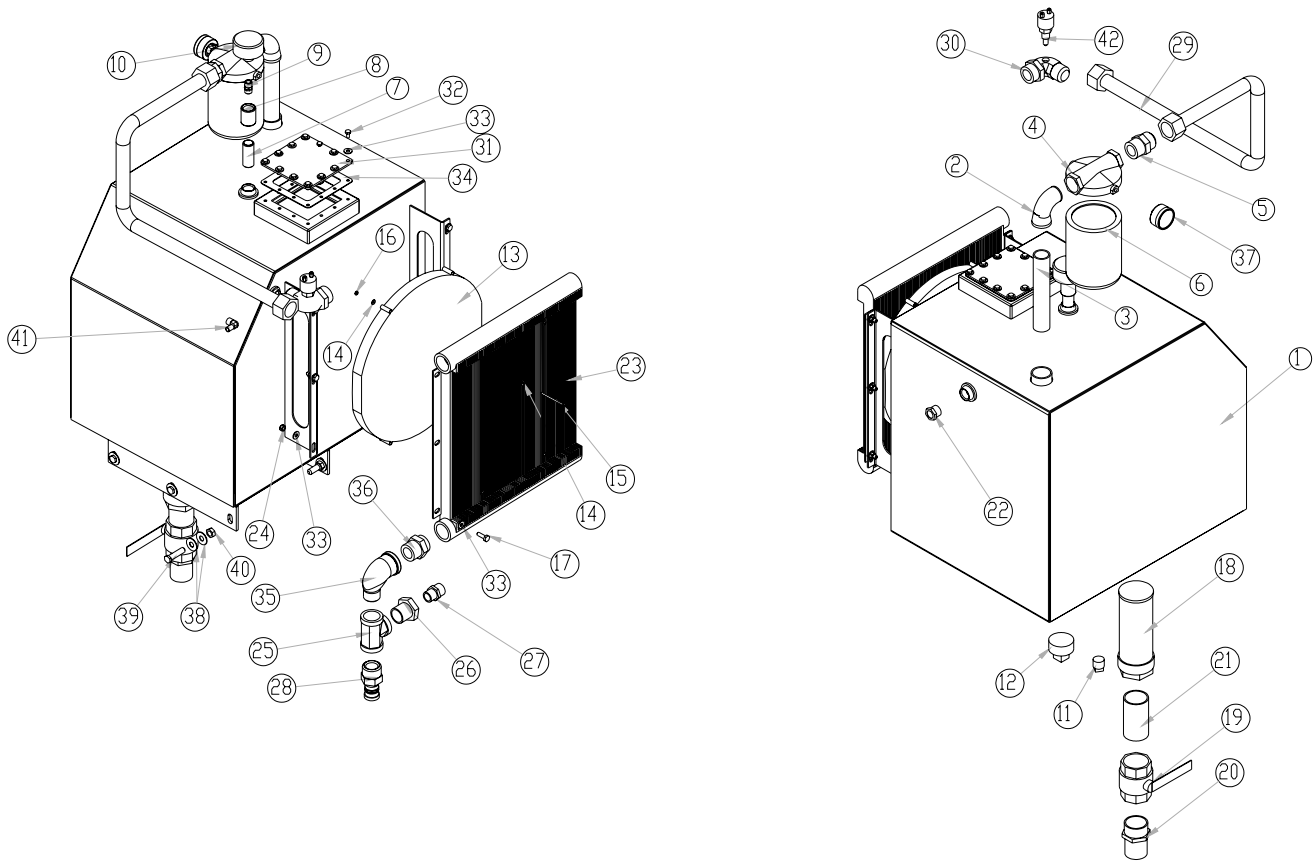
INSTALLATION KIT P/N 16659



| ITEM | PART | DESCRIPTION | QTY. | ITEM | PART | DESCRIPTION | QTY. |
|------|-------|---------------------------------|------|------|------|------------------------------|------|
| 1 | 8054 | MTG BLOCK 15000 | 4 | 5 | 8834 | NUT 1.25-7 HHGR8 TOP LOCKING | 8 |
| 2 | 11677 | PLATE MOUNTING 23000 | 4 | 6 | 8978 | NUT 1.25-7 HHGR8 | 16 |
| 3 | 14498 | TIE DOWN ROD | 8 | 7 | 8202 | FRAME SUPPORT 15000 CRANE | 4 |
| 4 | 9180 | WASHER 1.25 SAE FLAT YELLOW GR8 | 16 | | | | |

OIL TANK ASSEMBLY WITHOUT HEATER

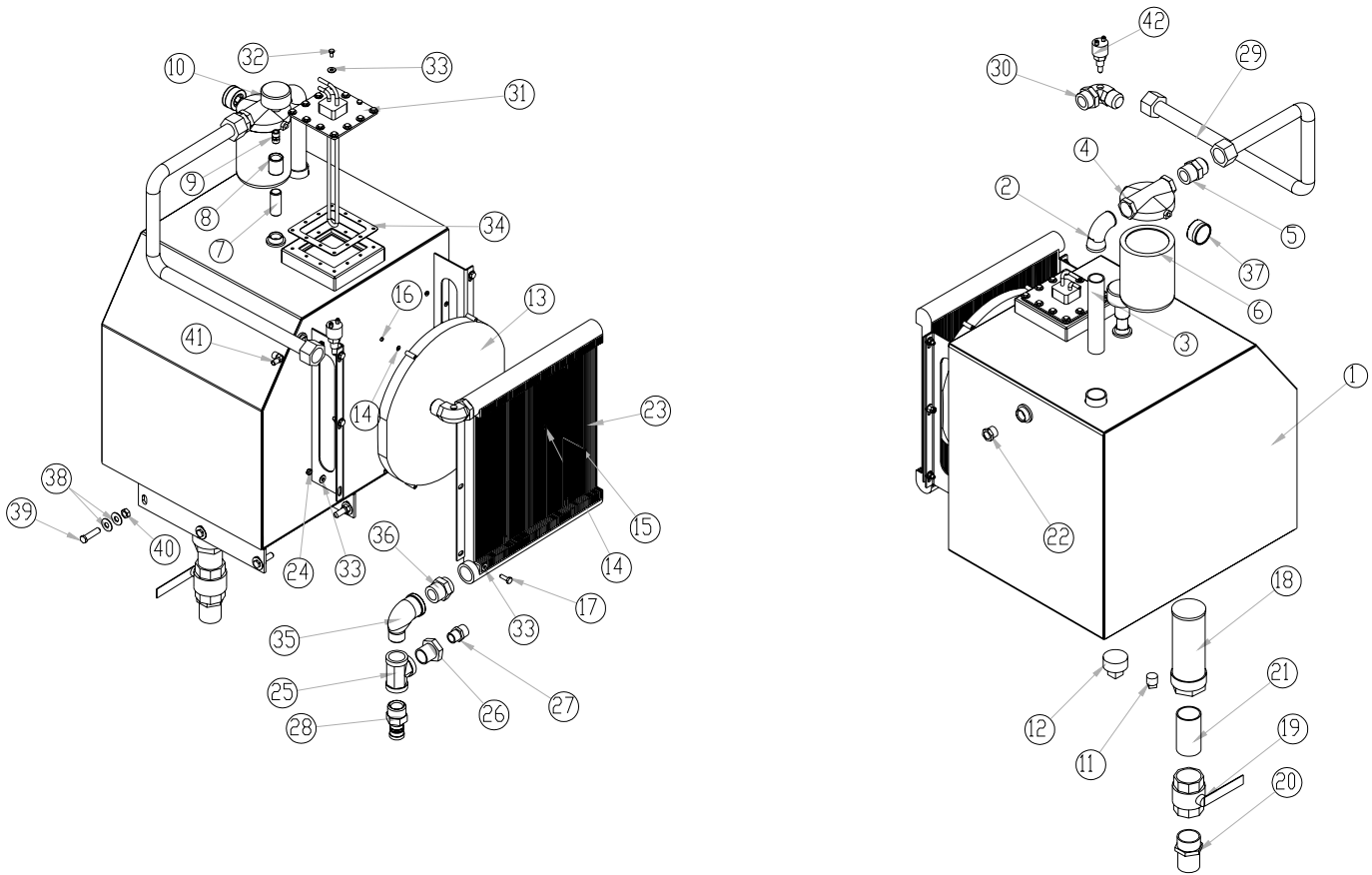
P/N 14296



| ITEM | PART | DESCRIPTION | QTY. | ITEM | PART | DESCRIPTION | QTY. |
|------|-------|--------------------------------|------|------|-------|-------------------------------------|------|
| 1 | 10014 | OIL TANK 45GAL | 1 | 22 | C4955 | SIGHT GAUGE 3/4 NPT EYE | 1 |
| 2 | C4694 | ST EL 1.25 90 DEG BLK | 1 | 23 | 8240 | COOLER OIL BLISSFIELD #65155SPECIAL | 1 |
| 3 | C4745 | NIPPLE 1.25X8.00 BLK PIPE | 1 | 24 | 0342 | NUT 0.31-18 HH NYLOC | 6 |
| 4 | C6228 | FILTER HEAD SF120-25 1.3 | 1 | 25 | C6170 | TEE 1.25 STL | 1 |
| 5 | 10098 | FTG MJIC/MNPT 20-FTX | 1 | 26 | C2375 | FTG REDU 0102-20-12 | 1 |
| 6 | C6225 | FILTER LARGE SE-10 | 1 | 27 | C4952 | FTG ADAPT 12 FLO-S | 1 |
| 7 | C1053 | NIPPLE 0.75X2.50 BLK PIPE | 1 | 28 | C2282 | FTG 1.25 NPT TO 1.25 BARB | 1 |
| 8 | C5930 | COUPLER 0.75 BLK | 1 | 29 | 10964 | TUBE ASM 1.25 CLR TO RSRVR 15000 | 1 |
| 9 | C4282 | MUFFLER LOAD GENE | 1 | 30 | 24910 | FTG MJIC/MSTR 90 20-C5OX MOD | 1 |
| 10 | C2151 | CAP FILLER BREATHER | 1 | 31 | 11442 | PLATE COVER TANK HEATER FLANGE | 1 |
| 11 | C2126 | MAGNETIC PLUG DRAIN 3/4" | 1 | 32 | 0478 | CAP SCR 0.25-20X0.50 HHGR5 | 12 |
| 12 | C4847 | PLUG 2.00 NPT SQ HD BLK | 1 | 33 | 0340 | WASHER 0.25 FLAT | 24 |
| 13 | 8241 | FAN 16.00" PUSH 12 VOLT | 1 | 34 | 11149 | GASKET ARCTIC FOX HEATER #A-611 | 1 |
| 14 | 5290 | WASHER #8 SAE FLAT ZP | 8 | 35 | c6152 | ST EL 1.25 90 DEG BLK | 1 |
| 15 | D0075 | SCREW #6-32X2.75 RH HD MACHINE | 4 | 36 | 10957 | FTG MJIC/MNPT 20-FTX | 1 |
| 16 | D0076 | NUT #6-32 HH NYLOC | 4 | 37 | 16145 | GAUGE PRES FILTER SERVICE CI20 | 1 |
| 17 | C0922 | CAP SCR 0.31-18X1.00 HHGR5 | 6 | 38 | 0519 | WASHER 0.44 USS FLAT ZINC | 12 |
| 18 | C6327 | FILTER STRAINER 35GAL TF-2030 | 1 | 39 | 0501 | CAP SCR 0.50-13X2.00 HHGR5 | 6 |
| 19 | C4750 | VALVE BALL 2.00 | 1 | 40 | C6106 | NUT 0.50-13 HHGR5 NYLOC | 6 |
| 20 | C4730 | FTG HOSE BARB 2.00 | 1 | 41 | D1263 | FTG HOSE BARB 0.38 HOSE X 0.38 90DG | 1 |
| 21 | D0653 | NIPPLE 2.00X4.00 BLK | 1 | 42 | D1862 | SWITCH TEMP HT-2A-100R-.38NPT 25A | 1 |

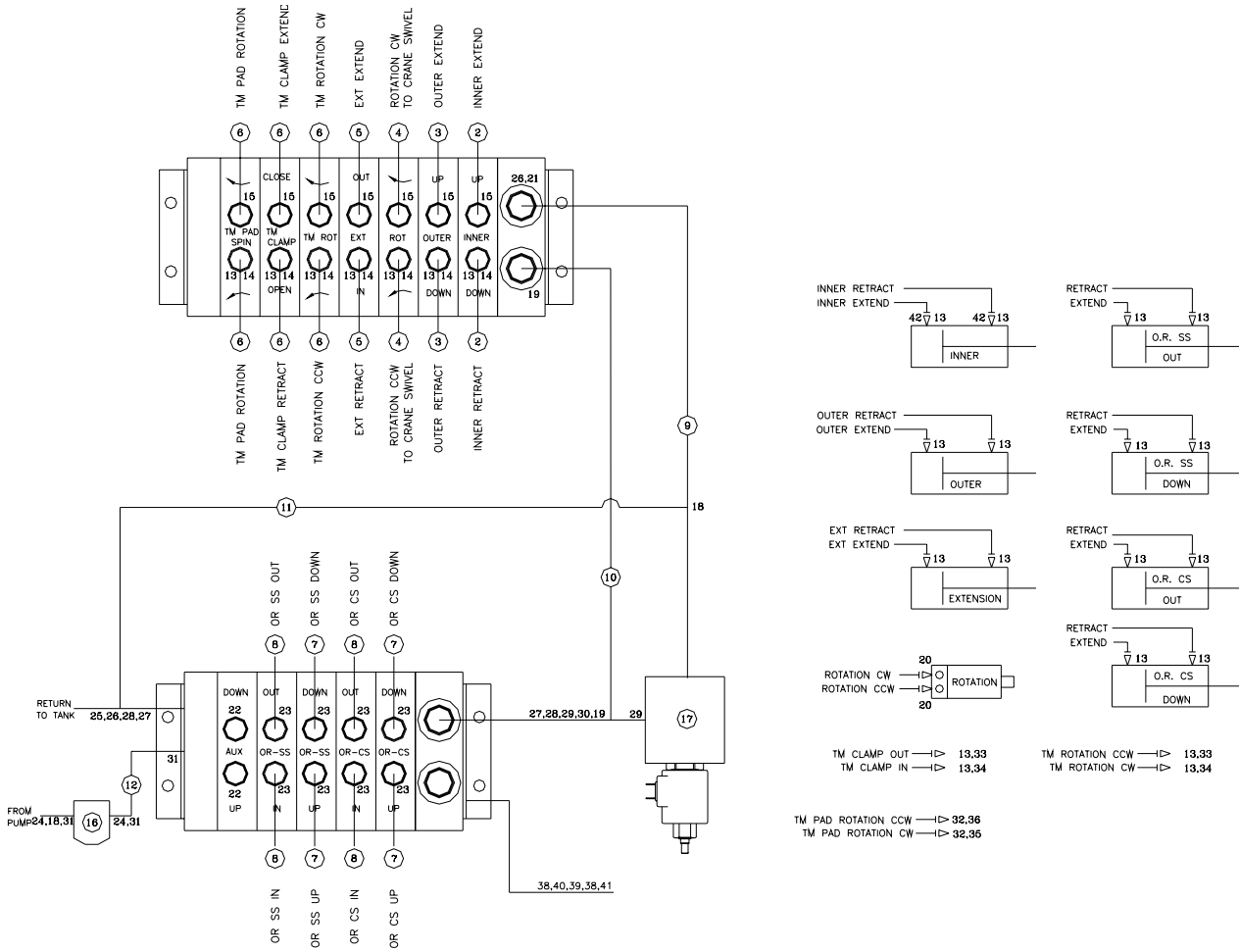
OIL TANK ASSEMBLY WITH HEATER

P/N 14297

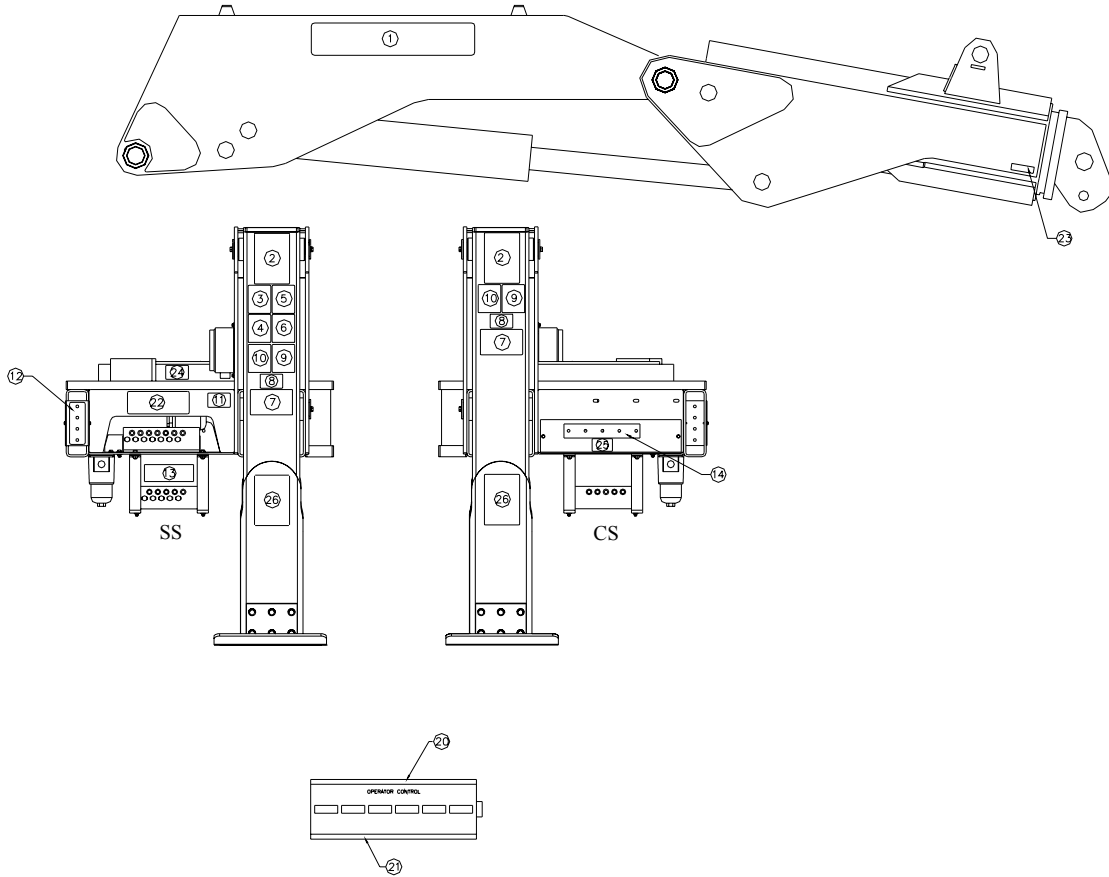


| PART | DESCRIPTION | QTY. | PART | DESCRIPTION | QTY. |
|------|--------------------------------------|------|------|---|------|
| 1 | 10014 OIL TANK 45GAL | 1 | 22 | C4955 SIGHT GAUGE 3/4 NPT EYE | 1 |
| 2 | C4694 ST EL 1.25 90 DEG BLK | 1 | 23 | 8240 COOLER OIL BLISSFIELD #65155SPECIAL | 1 |
| 3 | C4745 NIPPLE 1.25X8.00 BLK PIPE | 1 | 24 | 0342 NUT 0.31-18 HH NYLOC | 6 |
| 4 | C6228 FILTER HEAD SF120-25 1.3 | 1 | 25 | C6170 TEE 1.25 STL | 1 |
| 5 | 10098 FTG MJIC/MNPT 20-FTX | 1 | 26 | C2375 FTG REDU 0102-20-12 | 1 |
| 6 | C6225 FILTER LARGE SE-10 | 1 | 27 | C4952 FTG ADAPT 12 FLO-S | 1 |
| 7 | C1053 NIPPLE 0.75X2.50 BLK PIPE | 1 | 28 | C2282 FTG 1.25 NPT TO 1.25 BARB | 1 |
| 8 | C5930 COUPLER 0.75 BLK | 1 | 29 | 10964 TUBE ASM 1.25 CLR TO RSRVR 15000 | 1 |
| 9 | C4282 MUFFLER LOAD GENE | 1 | 30 | 24910 FTG MJIC/MSTR 90 20-C5OX MOD | 1 |
| 10 | C2151 CAP FILLER BREATHER | 1 | 31 | 11147 HEATER TANK ARCTIC FOX #F-203-29 | 1 |
| 11 | C2126 MAGNETIC PLUG DRAIN 3/4" | 1 | 32 | 0478 CAP SCR 0.25-20X0.50 HHGR5 | 12 |
| 12 | C4847 PLUG 2.00 NPT SQ HD BLK | 1 | 33 | 0340 WASHER 0.25 FLAT | 24 |
| 13 | 8241 FAN 16.00" PUSH 12 VOLT | 1 | 34 | 11149 GASKET ARCTIC FOX HEATER #A-611 | 1 |
| 14 | 5290 WASHER #8 SAE FLAT ZP | 8 | 35 | c6152 ST EL 1.25 90 DEG BLK | 1 |
| 15 | D0075 SCREW #6-32X2.75 RH HD MACHINE | 4 | 36 | 10957 FTG MJIC/MNPT 20-FTX | 1 |
| 16 | D0076 NUT #6-32 HH NYLOC | 4 | 37 | 16145 GAUGE PRES FILTER SERVICE CI20 | 1 |
| 17 | C0922 CAP SCR 0.31-18X1.00 HHGR5 | 6 | 38 | 0519 WASHER 0.44 USS FLAT ZINC | 12 |
| 18 | C6327 FILTER STRAINER 35GAL TF-2030 | 1 | 39 | 0501 CAP SCR 0.50-13X2.00 HHGR5 | 6 |
| 19 | C4750 VALVE BALL 2.00 | 1 | 40 | C6106 NUT 0.50-13 HHGR5 NYLOC | 6 |
| 20 | C4730 FTG HOSE BARB 2.00 | 1 | 41 | D1263 FTG HOSE BARB 0.38 HOSE X 0.38 90DG | 1 |
| 21 | D0653 NIPPLE 2.00X4.00 BLK | 1 | 42 | D1862 SWITCH TEMP HT-2A-100R-.38NPT 25A | 1 |

HYDRAULIC KIT P/N 15775



DECAL KIT



| ITEM NO. | PART NO. | DESCRIPTION | QTY. | ITEM NO. | PART NO. | DESCRIPTION | QTY. |
|----------|----------|------------------------------------|------|----------|----------|-------------------------------------|------|
| 1 | 16336 | DECAL IDENTIFICATION 28000 | 2 | 14 | 16619 | DECAL SWITCH PANEL 28000 | 1 |
| 2 | 16055 | DECAL CAPACITY 28000 | 2 | 15 | C4545 | DECAL DANGER ELECTROCUTION | 4 |
| 3 | C4540 | DECAL DANGER | 1 | 16 | 8998 | DECAL AIR DRAIN | 1 |
| 4 | 4189 | DECAL DANGER OPERATION RESTRICTION | 1 | 17 | 8843 | DECAL EXPLODING TANK | 1 |
| 5 | C4544 | DECAL CAUTION | 1 | 18 | C5911 | DECAL STELLAR LOGO 2.00X4.50 | 2 |
| 6 | 4190 | DECAL DANGER OPERATION CONDITION | 1 | 19 | C5910 | DECAL STELLAR LOGO 4.00X9.50 | 1 |
| 7 | C1179 | DECAL DANGER ELECTROCUTION HORTL | 2 | 20 | 16657 | DECAL CONTROL HANDLE 28000 | 1 |
| 8 | C5918 | DECAL CAUTION STAND CLEAR | 2 | 21 | 15172 | DECAL ASME/ANSI B30.22/B30.5 | 1 |
| 9 | C4541 | DECAL WARNING | 2 | 22 | 16470 | DECAL VB CONTROL 28000 | 1 |
| 10 | C4795 | DECAL DANGER FOOT | 2 | 23 | 16973 | DECAL USE STELLAR APPROVED ATTACHMT | 2 |
| 11 | 4214 | DECAL CONTACT STELLAR | 1 | 24 | 22618 | DECAL GREASE WEEKLY | 1 |
| 12 | 16620 | DECAL SWITCH PLATE 28000 | 1 | 25 | 22619 | DECAL CHECK GEARBOX | 1 |
| 13 | 16618 | DECAL OUTRIGGERS 28000 | 1 | 26 | 16732 | DECAL TIRE MAN OVERLOAD POSITION | 2 |

Limited Warranty Statement

**for Stellar Tire Service Trucks, Truck-mounted Cranes, Truck-mounted Stellarc Welders
& Truck-mounted Compressed Air Systems ONLY**

Stellar Industries, Inc. (Stellar) warrants products designed and manufactured by Stellar to be free from defects in material and workmanship under proper use and maintenance. Products must be installed and operated in accordance with Stellar's written instructions and stated lifting capacities. The warranty period shall be Twelve (12) month warranty on all Stellar designed and fabricated parts, and Ninety (90) days repair labor.

The warranty period shall begin from the date recorded by Stellar as the in-service date. This date will be derived from the completed warranty registration card. In the event a warranty registration card is not received by Stellar, the factory ship date will be used. Stellar's obligation under this warranty is limited to, and the sole remedy for any such defect shall be, the repair and/or replacement (at Stellar's option) of the part and/or component in question. Stellar after-sales service personnel must be notified by telephone, fax, e-mail, or mail of any warranty-applicable damage within fourteen (14) days of it's occurrence. If at all possible, Stellar will ship the replacement part within 24-hours of notification by the most economical, yet expedient, means possible. Expedited freight delivery will be at the expense of the owner.

Warranty claims must be submitted and shall be processed in accordance with Stellar's established warranty claim procedure. Stellar Service personnel must be contacted prior to any warranty claim. A return materials authorization (RMA) account number must be issued to the claiming party prior to the return of any warranty parts. Parts returned without prior authorization will not be recognized for warranty consideration. All damaged parts must be returned to Stellar freight prepaid; freight collect returns will be refused.

Warranty service will be performed by any Stellar new equipment distributor, or by any Stellar-recognized service center authorized to service the type of product involved, or at the Stellar factory. At the time of requesting warranty service, the owner must present evidence of date of delivery of the product. The owner shall be obligated to pay for any overtime labor requested of the servicing company by the owner, any field service call charges, and any towing and/or transportation charges associated with moving the equipment to the designated repair/service provider. All obligations of Stellar and it's authorized dealers and service providers shall be voided if someone other than an authorized Stellar dealer provides other than routine maintenance service without prior written approval from Stellar. In the case repair work is performed on the Stellar-manufactured product, original Stellar parts must be used to keep the warranty in force. The warranty may also be voided if the product is modified or altered in any way not approved, in writing, by Stellar engineering.

The owner/operator is responsible for furnishing proof of the date of original purchase of the Stellar product in question. Warranty registration is the ultimate responsibility of the owner and may be accomplished by the completion and return of the Stellar product registration card provided with the product. If the owner is unsure of registration, he is encouraged to contact Stellar at the address below to confirm registration of the product in question. This warranty covers only defective material and workmanship. It does not cover depreciation or damage caused by normal wear and tear, accident, mishap, untrained operators, or improper or unintended use. The owner has the obligation of performing routine care and maintenance duties as stated in Stellar's written instructions, recommendations, and specifications. Any damage resulting from owner/operator failure to perform such duties shall void the coverage of this warranty. The cost of labor and supplies associated with routine maintenance will be paid by the owner.

The only remedies the owner has in connection with the breach or performance of any warranty on the Stellar product specified are those set above. In no event will Stellar, the Stellar distributor/dealer, or any company affiliated with Stellar be liable for business interruptions, costs of delay, or for any special, indirect, incidental, or consequential costs or damages. Such costs may include, but are not limited to, loss of time, loss of revenue, loss of use, wages, salaries, commissions, lodging, meals, towing, hydraulic fluid, or any other incidental cost.

All products purchased by Stellar from outside vendors shall be covered by the warranty offered by that respective manufacturer only. Stellar does not participate in, or obligate itself to, any such warranty.

Hydraulic cylinders used in Stellar products are subject to the same warranty provisions stated above. Should a cylinder defect develop within the above stated warranty period, notify Stellar immediately. Stellar will ship, freight prepaid, by the most effective, expedient, means a new or re-manufactured cylinder of the same size and type. An authorization for return of the original part will be issued at the time the order is placed. The defective cylinder is to be returned to Stellar freight prepaid by the owner. Cylinders returned freight collect will be refused. Should the defective cylinder not be returned within 30 days of shipping the replacement cylinder, the owner is responsible to pay Stellar the full purchase price of the replacement part.

Stellar reserves the right to make changes in design or improvement upon it's products without imposing upon itself the same upon it's products theretofore manufactured.

This warranty will apply to all Stellar Tire Service Trucks, Truck-mounted Cranes, Truck-mounted Stellarc Welders & Truck-mounted Compressed Air Systems shipped from Stellar's factory after January 1,1997. The warranty is for the use of the original owner only and is not transferable without prior written permission from Stellar.

THIS WARRANTY IS EXPRESSLY IN LIEU OF ANY OTHER WARRANTIES, EXPRESS OR IMPLIED, INCLUDING ANY WARRANTY OF MERCHANTABILITY OR FITNESS FOR A PARTICULAR PURPOSE. REMEDIES UNDER THIS WARRANTY ARE LIMITED TO THE PROVISION OF MATERIAL AND SERVICES, AS SPECIFIED HEREIN. STELLAR INDUSTRIES, INC. IS NOT RESPONSIBLE FOR INCIDENTAL OR CONSEQUENTIAL DAMAGES.

Stellar Industries, Inc. • 280 West Third Street • Garner, Iowa 50438 • U.S.A.

E-Mail • sales@stellar-industries.com

Telephone: 800/321-3741; 641/923-3741 • Fax: 641/923-2812; 641/923-2811

Revised 10/05/2000