

Stellar® Service Crane

# EC4000



**EC4000** ★ TECHNICAL SPECIFICATION GUIDE



*Our People. Our Products.*



# TECHNICAL SPECIFICATION GUIDE

## ■ SPECIFICATION INFORMATION

Crane Rating:  
Standard Boom Length:

### 16' OPTION

16,000 ft-lb (2.21 tm)  
8' (2.44 m) from CL of Crane

### 20' OPTION

16,000 ft-lb (2.21 tm)  
10' (3.05 m) from CL of Crane

Boom Extension:

- 1st stage:
- 2nd stage:

Hydraulic 48" (121.9 cm)  
Manual 48" (121.9 cm)

Hydraulic 60" (152.4 cm)  
Manual 60" (152.4 cm)

Max. Horizontal Reach:  
Maximum Vertical Lift:  
(from crane base)

16' (4.88 m) from CL of Crane  
17' 4" (5.28 m)

20' (6.10 m) from CL of Crane  
21' 3" (6.48 m)

Boom Elevation:

-5 to +80 degree

-5 to +80 degree

Stowed Height:

28.53" (72.47 cm)

29.53" (75 cm)

Mounting Space Required:

19" x 19" (48.3 x 48.3 cm)

19" x 19" (48.3 x 48.3 cm)

Shipping Weight:

970 lbs (440 kg)

1180 lbs (535 kg)

Controls:

Radio control standard for all functions

Radio control standard for all functions

Winch

- Rope Length:
- Rope Diameter:
- Line pull speed:
- Max. single part line:
- Max. double part line:

90' (27.4 m)  
5/16" (.79 cm)  
15 ft/min (4.6 m/min)  
2000 lbs (905 Kg)  
4000 lbs (1815 Kg)

90' (27.4 m)  
5/16" (.79 cm)  
15 ft/min (4.6 m/min)  
2000 lbs (905 Kg)  
4000 lbs (1815 Kg)

Rotation:

410 degree power  
(worm gear)

410 degree power  
(worm gear)

Lifting Capacities:

4000 lbs @ 4' (1814 Kg @ 1.22 m)  
935 lbs @ 16' (420 Kg @ 4.88 m)

4000 lbs @ 4' (1814 Kg @ 1.22 m)  
800 lbs @ 20' (363 Kg @ 6.1 m)

Power Supply Required:

12 volt power unit  
2.0 gpm @ 2300 psi  
(7.57 lpm @ 159 bars)

12 volt power unit  
2.0 gpm @ 2300 psi  
(7.57 lpm @ 159 bars)

Min. Rec. Chassis (GVRW)

14,500\*

14,500\*

\*Guideline for Stellar® TMAX™ package with curbside rear crane. Consult with Stellar for other installations.

## ■ DEFINING CHARACTERISTICS

### Planetary Drive Winch System

The winch is equipped with a 1.8 HP permanent magnet electric motor with a 315:1 planetary gear reduction system. This ensures that your winch will never quit lifting before it reaches the full rated capacity.

### Double Boom Design

The double boom design makes it nearly twice as strong as the nearest competitor.

### Gear Bearing Rotation

Uses same rotation system as the larger class cranes. There are no plastic bushings or brass gears in the rotation system. It uses a high strength steel ball bearing turntable gear, a high strength steel worm gear, and a cast steel worm gear housing.

### Integral Rotation Stop

410 degrees of rotation with an integrated rotation stop. Integrated stops allow you the greatest performance while protecting wires and hoses from damage.

### 16' or 20' of Reach

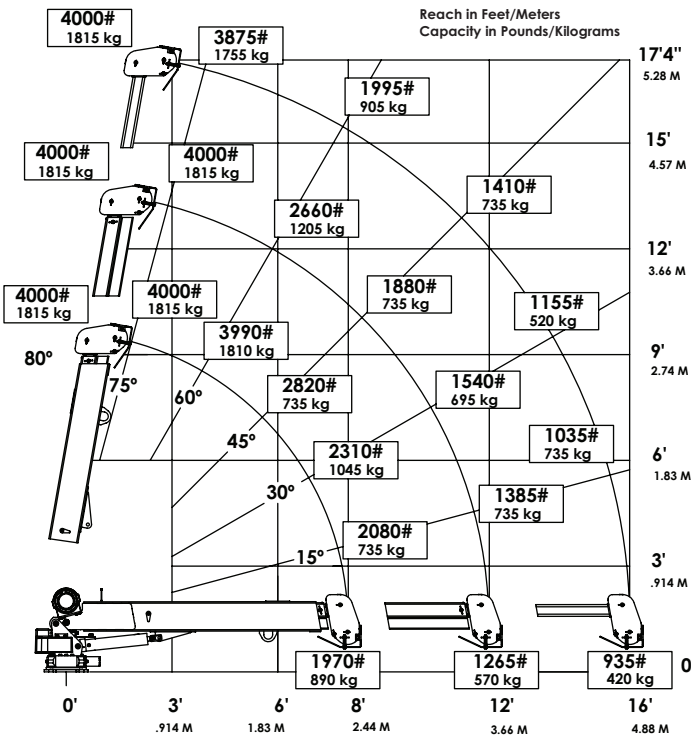
Hydraulic 1st stage extension. Manual 2nd stage extension.

### Radio Remote

Comes standard with a radio remote control.

NOTE: All Stellar cranes meet ANSI B30.5 and OSHA 1910.180 specifications. Specifications subject to change without notification.

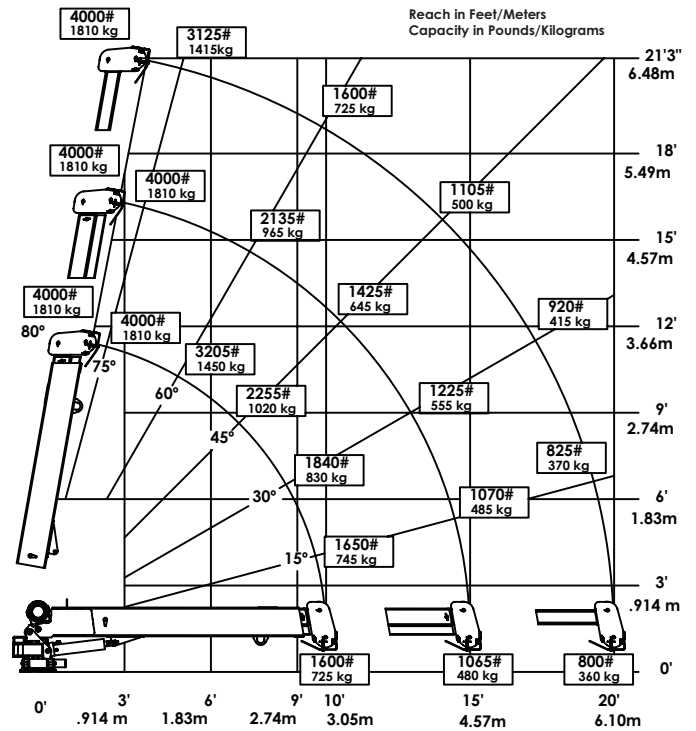
■ EC4000 CAPACITY CHART (16' SERIES)



Weight of load handling devices are part of the load lifted and must be deducted from the capacity.

Maximum 1 - part line capacity is 2000 lbs. (905 kg). For greater loads, use 2 - part line.

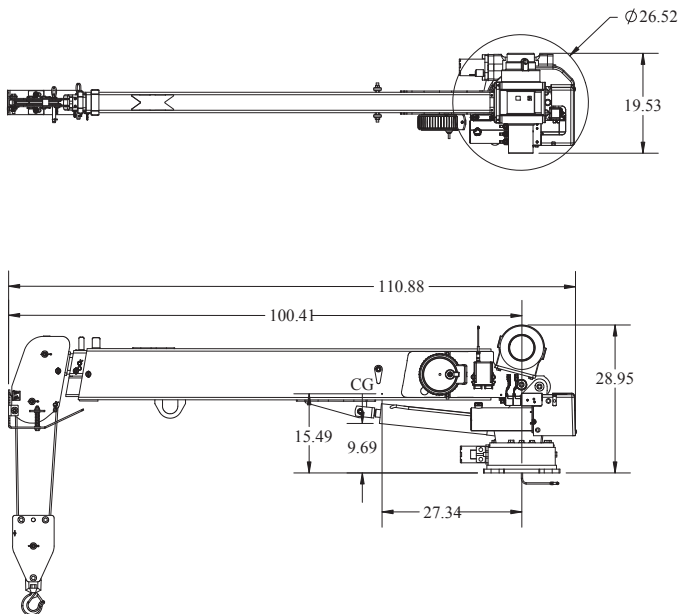
■ EC4000 CAPACITY CHART (20' SERIES)



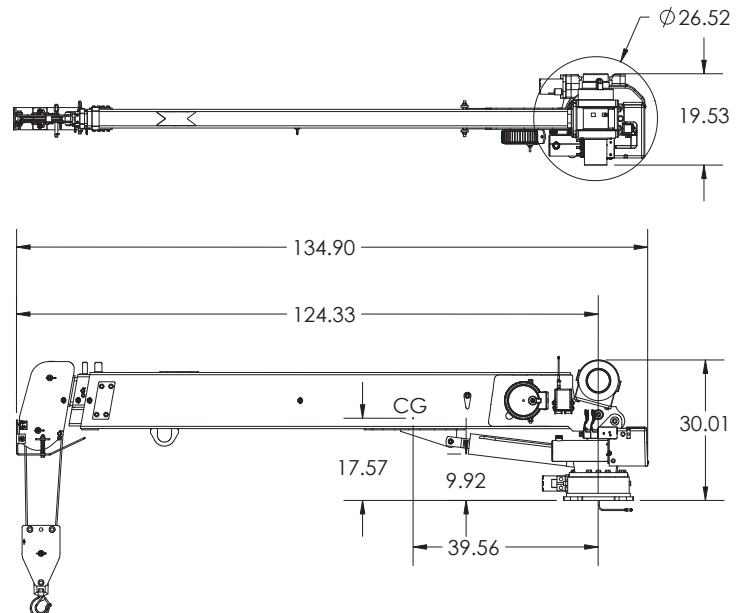
Weight of load handling devices are part of the load lifted and must be deducted from the capacity.

Maximum 1 - part line capacity is 2000 lbs. (905 kg). For greater loads, use 2 - part line.

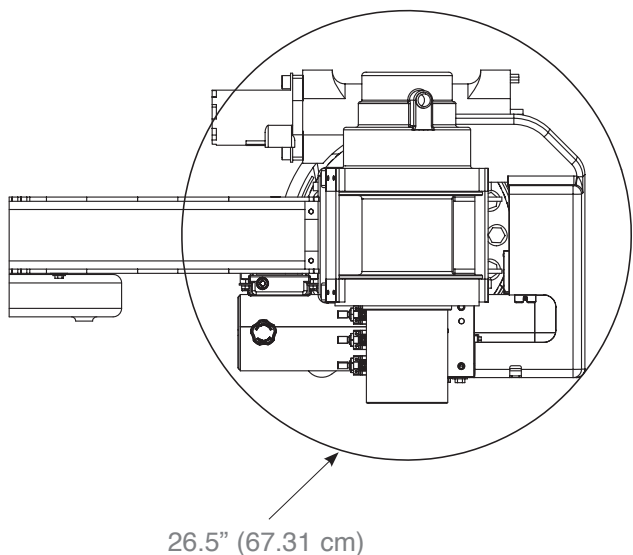
■ GEOMETRIC DIMENSIONS (16' OPTION)



■ GEOMETRIC DIMENSIONS (20' OPTION)

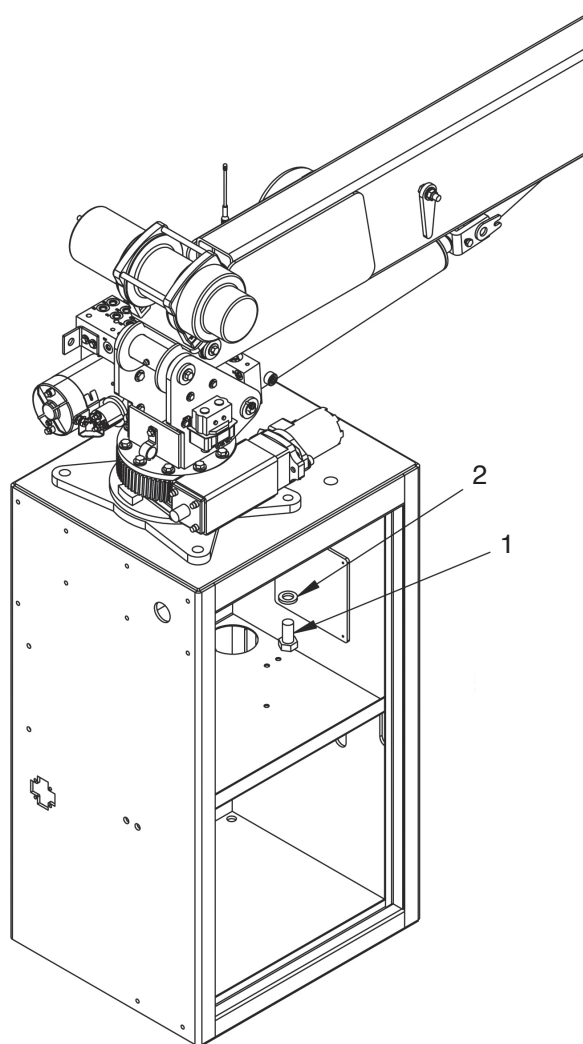


■ **ROTATIONAL CLEARANCE**

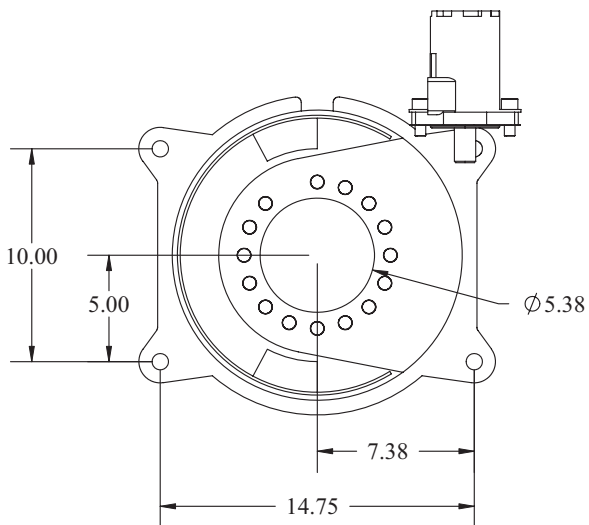


■ **SERVICE BODY MOUNT**

Mounts on 20" deep (or larger) side packs.



■ **HOLE MOUNTING DETAIL**



Item	Part	Description	Qty.
1	42985	Cap Scr 0.88-9x1.75 HHGR8ZY	4
2	8648	Washer 0.88 SAE GR8	4

Your local distributor:



*Our People. Our Products.*

190 State Street  
 P.O. Box 169  
 Garner, IA 50438  
 Telephone: (641) 923-3741 • (800) 321-3741  
 Fax: (641) 923-2812  
 Internet: [www.stellarindustries.com](http://www.stellarindustries.com)  
 Email: [sales@stellarindustries.com](mailto:sales@stellarindustries.com)