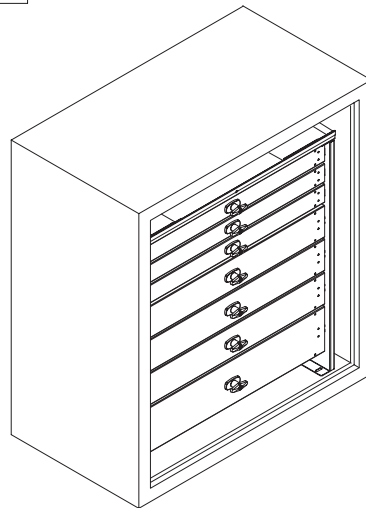
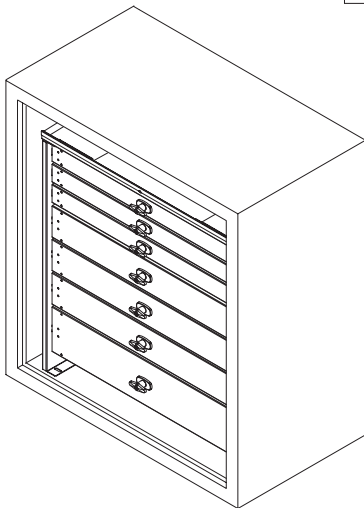
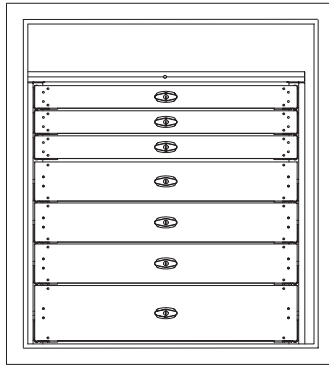


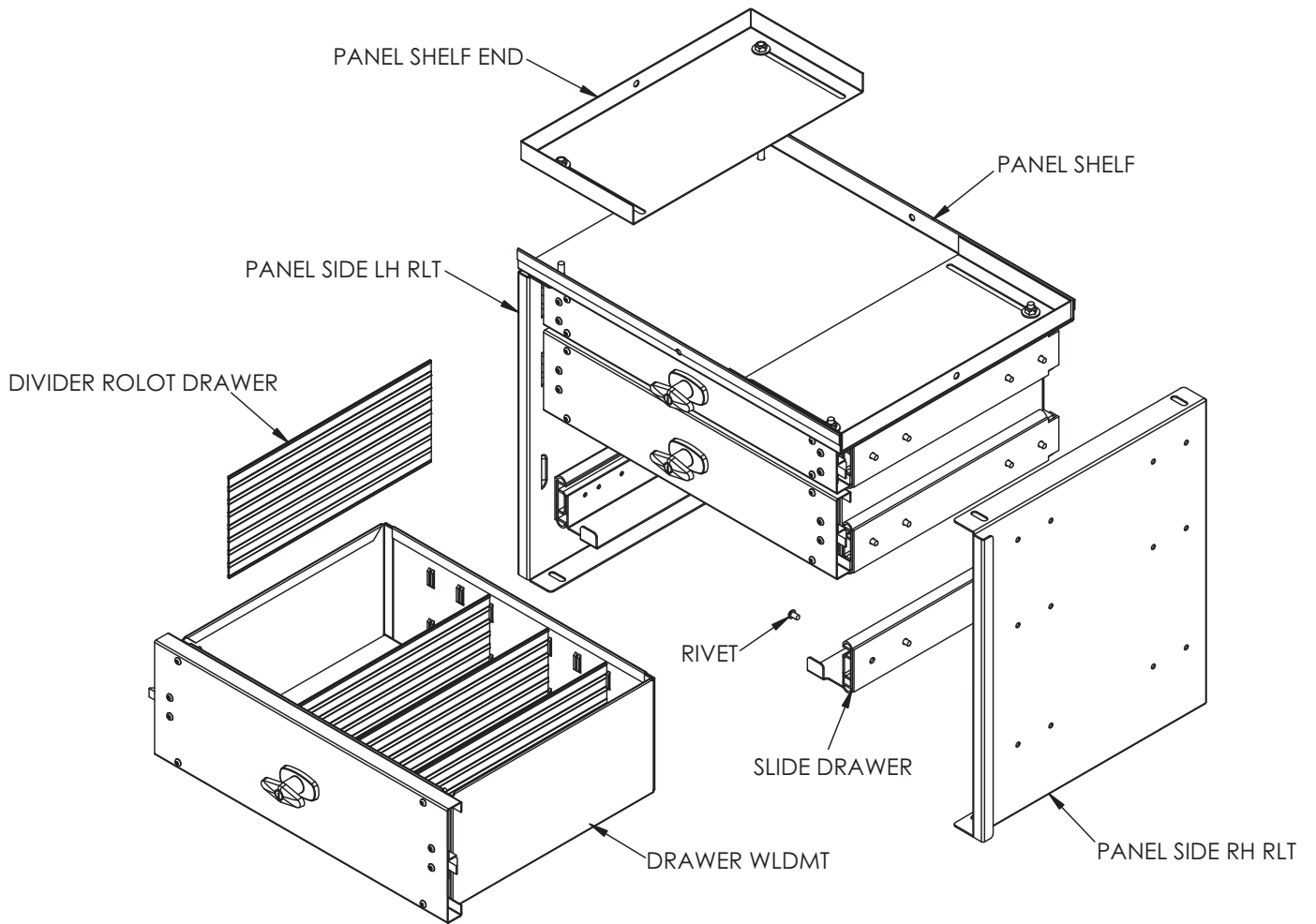
# Installation Guide

## American Eagle Mobile Drawer Sets



American Eagle  
740 N. State Street  
PO Box 169  
Garner, IA 50438  
800-392-3015  
Fax: 641-923-9099  
[www.americaneagleacc.com](http://www.americaneagleacc.com)

# Nomenclature



# Installation Overview



Note: Drawers are removable. Pull the drawer full out, hang onto the latch, and gently tap the bottom up. The drawer should pop out. This may aid in the installation process.

## **Step 1:**

Compartment side and outer drawer side face should be flush. This will allow the drawers to open unobstructed by the compartment.

## **Step 2:**

Push the drawer set tight to the back of the compartment. This allows for a 5/16-18 UNC cap screw to be used to tie the drawer shelf to the back wall.

## **Step 3:**

Extend the adjustable drawer shelf end tight to the front wall of the compartment. This allows for a 5/16-18 UNC cap screw to be used to tie the drawer shelf to the side wall. Repeat for other shelf end if application allows.

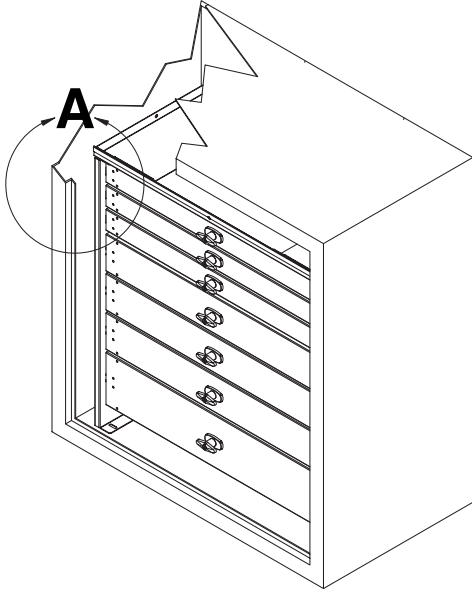
## **Step 4:**

Drill four(4) .344 holes for mounting of the drawer set to the floor of the compartment. Use 5/16-18 UNC cap screws to fasten drawer set to floor.

# Installation Details

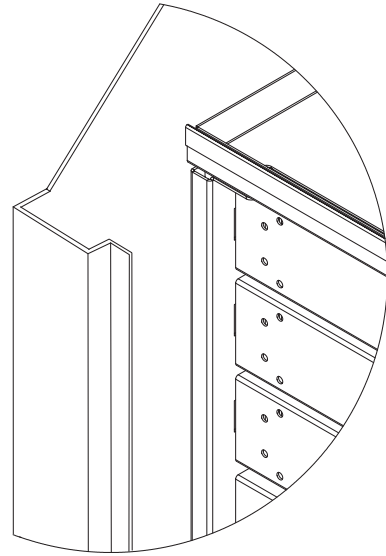
## Step 1:

Compartment side and outer drawer side face should be flush. This will allow the drawers to open unobstructed by the compartment.



Drawer shown in compartment.

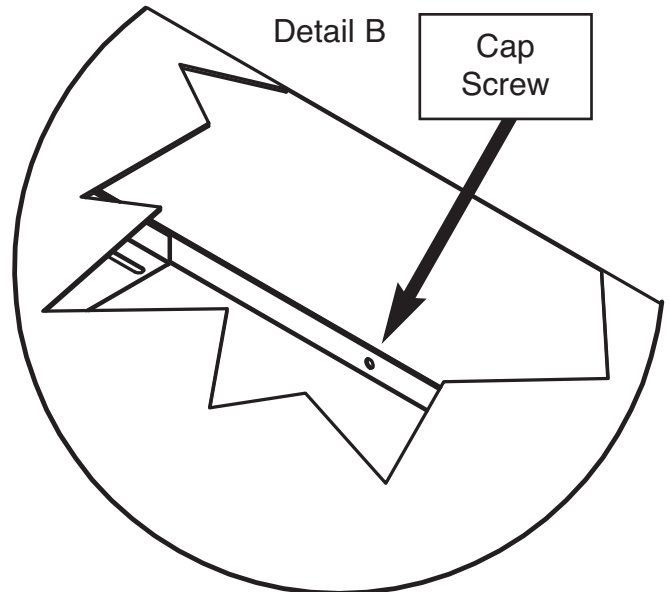
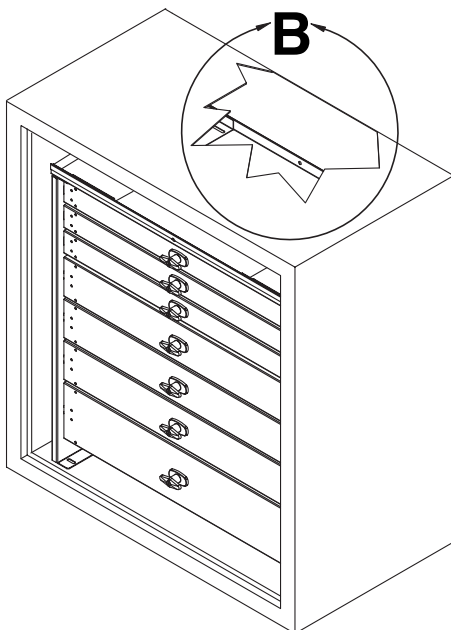
Detail A



Compartment side and outer drawer side face are flush

## Step 2:

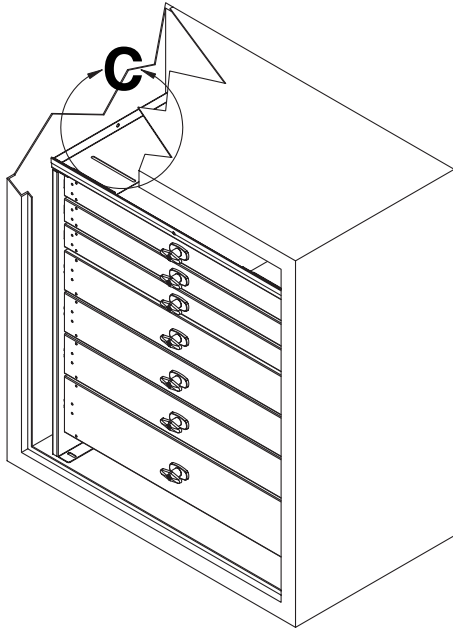
Push the drawer set tight to the back of the compartment. This allows for a 5/16-18 UNC cap screw to be used to tie the drawer shelf to the back wall.



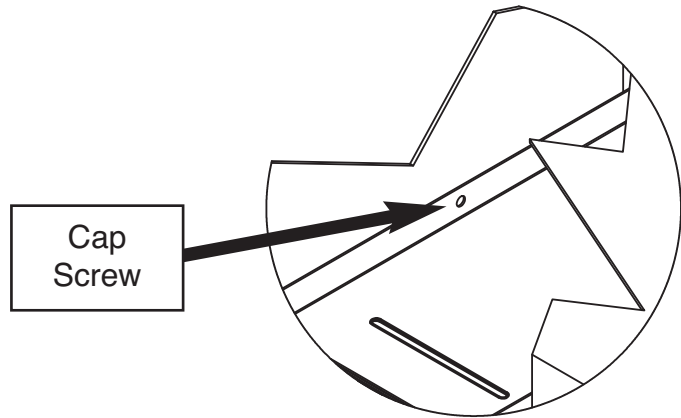
The drawer set is tight to the back of the compartment.

**Step 3:**

Extend the adjustable drawer shelf end tight to the front wall of the compartment. This allows for a 5/16-18 UNC cap screw to be used to tie the drawer shelf to the side wall. Repeat for other shelf end if application allows.



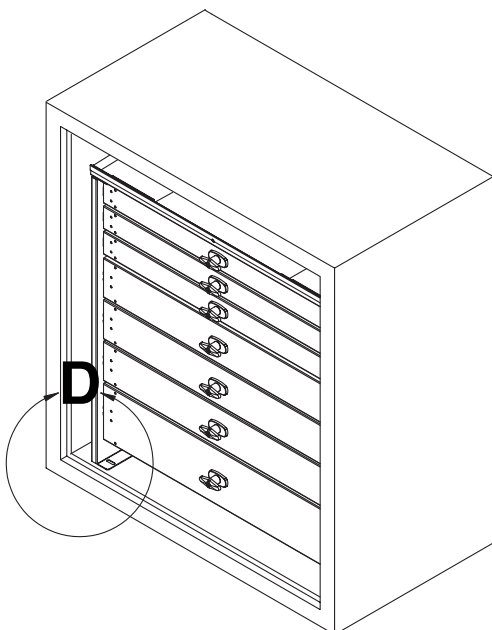
Detail C



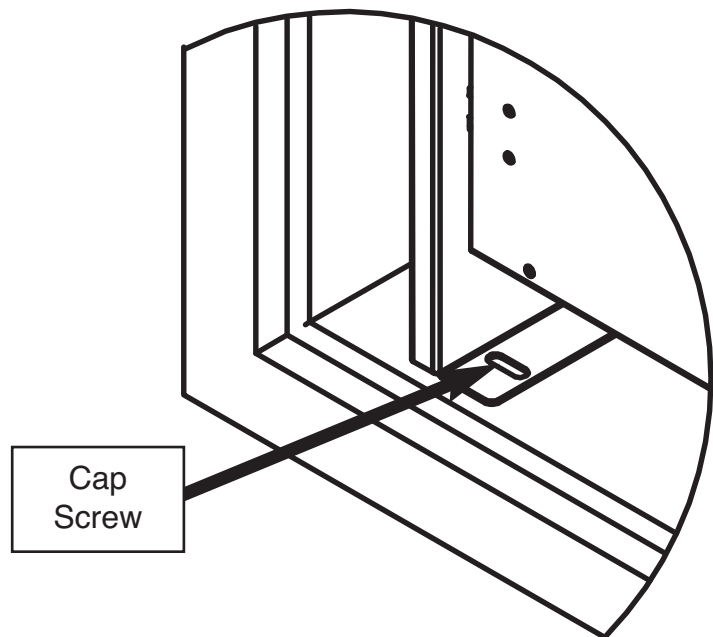
The drawer shelf is tight to the front wall of the compartment.

**Step 4:**

Drill four(4) .344 holes for mounting of the drawer set to the floor of the compartment. Use 5/16-18 UNC cap screws to fasten drawer set to floor.

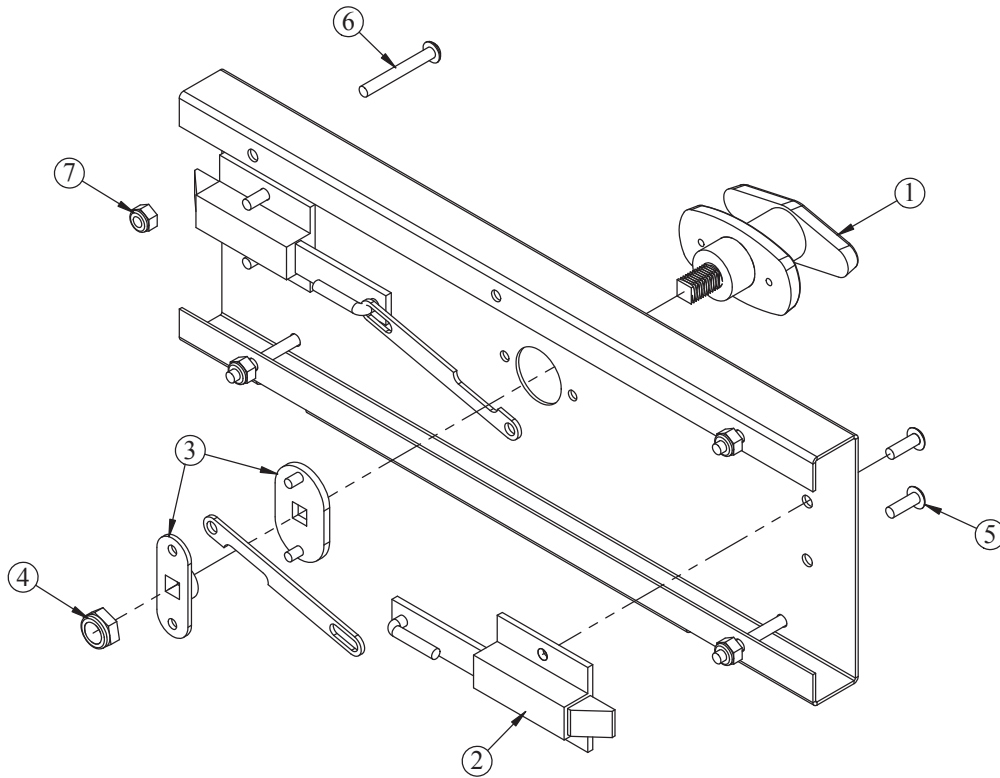


Detail D



Drill four holes into the bottom of the compartment.

# Replacement Parts



ITEM	PART	DESCRIPTION	QTY.
1	19598	HANDLE (T) ROLOT DRAWER AH112	1
2	19599	LATCH SPRING ROLOT DRAWER	2
3	20985	CAM T-HANDLE LATCH	1
4	81810	NUT 0.38-24 HH JAM NYLOC	1
5	11754	RIVET SS 0.19X0.063-0.437 MGLP-U6-E	4
6	21039	CAP SCR #10-24X1.50 BTNHD SS	4
7	C4956	NUT #10-24 HH NYLOC SS	4

Note: The parts listed on this page are common to all American Eagle Mobile Drawer Sets. For replacement parts needed for your specific drawer set, please contact Customer Service at

**800-321-3741**